







10 Oct 01


FILL OUT THE DIAGRAM TO SHOW ACQUISITION GEOMETRY.
INCLUDE GPS-TO-SHOT DISTANCE, SLED-TO-SHOT DISTANCE,
AND STREAMER-TO-SHOT DISTANCE.

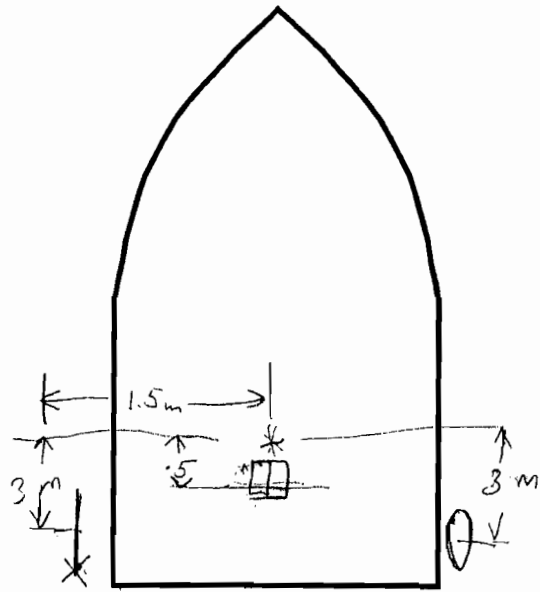
GPS-TO-SHOT DISTANCE _____

SLED-TO-SHOT DISTANCE _____

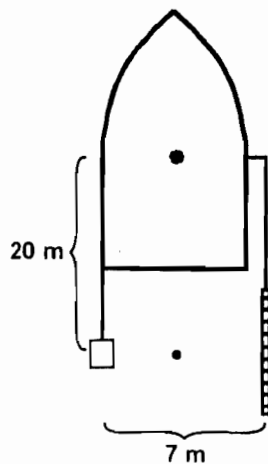
STREAMER-TO-SHOT DISTANCE _____

- GPS antenna 
- boomer 
- streamer 
- chirp 
- sidescan 
- shot 

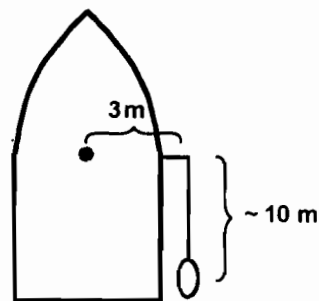
swath 



BOOMER EXAMPLE



CHIRP EXAMPLE



Activity ID: 10CCT01				USGS CMG FACS Operation Log						
Equipment Code	ID	Start Day	Start Hour	Start Min	Start Comment	End Day	End Hour	End Min	End Comment	Depth (meters)
C (chip)	10CCT01B	73	16	10	600p wren, 4 Hz, Samp Rate: 43kHz REGY (IRMF float)				-2-3' seas	
S. (ss)	10CCT01				4-16 kHz, 10ms FM, 75m acquire				rough	
					900kHz, 50m range					
SA (H)	10CCT01		17	00	SSRISXP		17	45	Note: all file	
C	10C01								saved on Network	
H	10h01								Drive has 2006 file	
S	10c02		17	45			17	48	modified date - problem	
S	10c03		17	48			17	48	with WaitDigital config	
H	10h02		17	45			17	48		
C	10c03		17	48			18	14		
S	10c03		17	47			18	14		
H	10h03		17	48			18	14		
C	10c04		18	14			18	55		
S	10c04		18	14			18	55		
H	10h04		18	14			18	55		
C	10c05		18	55			19	08		
H	10h05		18	55			19	08		
S	10c05		18	55			19	08		
C	10c06		19	08			19	41		
H	10h06		19	08			19	41		
S	10c06		19	08			19	41		
C	10c07		19	41			19	53		
H	10h07		19	41			19	53		
S	10c07		19	41			19	53		
C	10c08	74	14	00		74	15	00		
S	10c08		14	00		"	15	00		
H	10h08	"	14	00		"	15	00		
C	10c09	"	15	00		"	15	55		
S	10c09	"	15	00		"	15	55		
H	10h09	"	15	00		"	15	55		
S	10c10	"	15	55		"	16	49		

Activity ID: 10CCT01

USGS CMG FACS Operation Log

Equipment Code	ID	Start Day	Start Hour	Start Min	Start Comment	End Day	End Hour	End Min	End Comment	Depth (meters)
H	10h10	14	15	55		14	16	49		
S	10s10	"	15	55		"	16	49		
C	10c11	"	16	49		"	17	45		
S	10s11	"	16	49		"	17	45		
H	10h11	"	16	49		"	17	45		
C	10c12	"	17	45		"	18	40		
S	10s12	"	17	45		"	18	40		
H	10h12	"	17	45		"	18	40		
C	10c13	"	18	40		"	19	35		
S	10s13	"	18	40		"	19	35		
H	10h13	"	18	40		"	19	35		
C	10c14	"	19	25		"	20	29	In trough; 2-4' seas	
S	10s14	"	19	35		"	20	29		
H	10h15	"	19	35		"	20	29		
C	10c15	"	20	29		"	21	27		
S	10s15	"	20	29		"	21	27		
H	10h15	"	20	29		"	21	27		
C	10c16	"	21	30		"				
H	10h16	"	21	30		"				
S	10s16	"	21	30		"	22	00	- power switch locked off	
S	10s16a	"	22	00		"	22	36		
C	10c17	15	14	06	seas 2-3' rough	15	15	00		
S	10s17	"	14	06		"	15	00		
H	10h17	"	14	06		"	15	00		
C	10c18		15	23			16	30		
S	10s18		15	23			16	30		
H	10h18		15	23			16	30		
C	10c19		16	36			17	15	- Net drive lost power	
S	10s19		16	36			16	45		
H	10h19		16	36			17	15	- net drive lost power	
S	10s19a		16	45	S.5 range to 30m		17	15	- net drive lost power	
C	10c19b		17	20						
S	10s19s		17	20	fly change					

Activity ID: 10cct01				USGS CMG FACS Operation Log						
Equipment Code	ID	Start Day	Start Hour	Start Min	Start Comment	End Day	End Hour	End Min	End Comment	Depth (meters)
H	10h19b	75	17	20		75	17	35		
C	10c20		17	35			18	25		
S	10s20		17	35	50m swath, 60kg pulse		18	25		
H	10h20		17	35			18	25		
C	10c21		18	30			19	15		
S	10s21		18	30			19	15		
H	10h21		18	30			19	15		
C	10c22		19	20			20	00		
S	10s22		19	20			20	00		
H	10h22		19	20			20	00		
C	10c23		20	05			21	00		
S	10s23		20	05			21	00		
H	10h23		20	05			21	00		
C	10c24		21	00			21	45		
S	10s24		21	00			21	45		
H	10h24		21	00			21	45		
C	10c26		22	00						
S	10s25		22	00						
H	10h25		22	00						
C	10c26	76	13	55		76	14	50		
S	10s26		13	55			14	50		
H	10h26		13	55			14	50		
C	10c27		14	55			15	05		
S	10s27		14	55			15	05		
H	10h27		14	55			15	05		
C	10c28		15	10			16	15	Chippable bad - intermittent	
S	10s28		15	10			16	15	break on receive cable - works	
H	10h28		15	10			16	15	will keep recording	
C	10c30		16	37			17	10		
S	10s30		16	30			17	10		
H	10h30		16	30			17	10		
C	10c31		17	10						
S	10s31		17	10						

10cct01

