

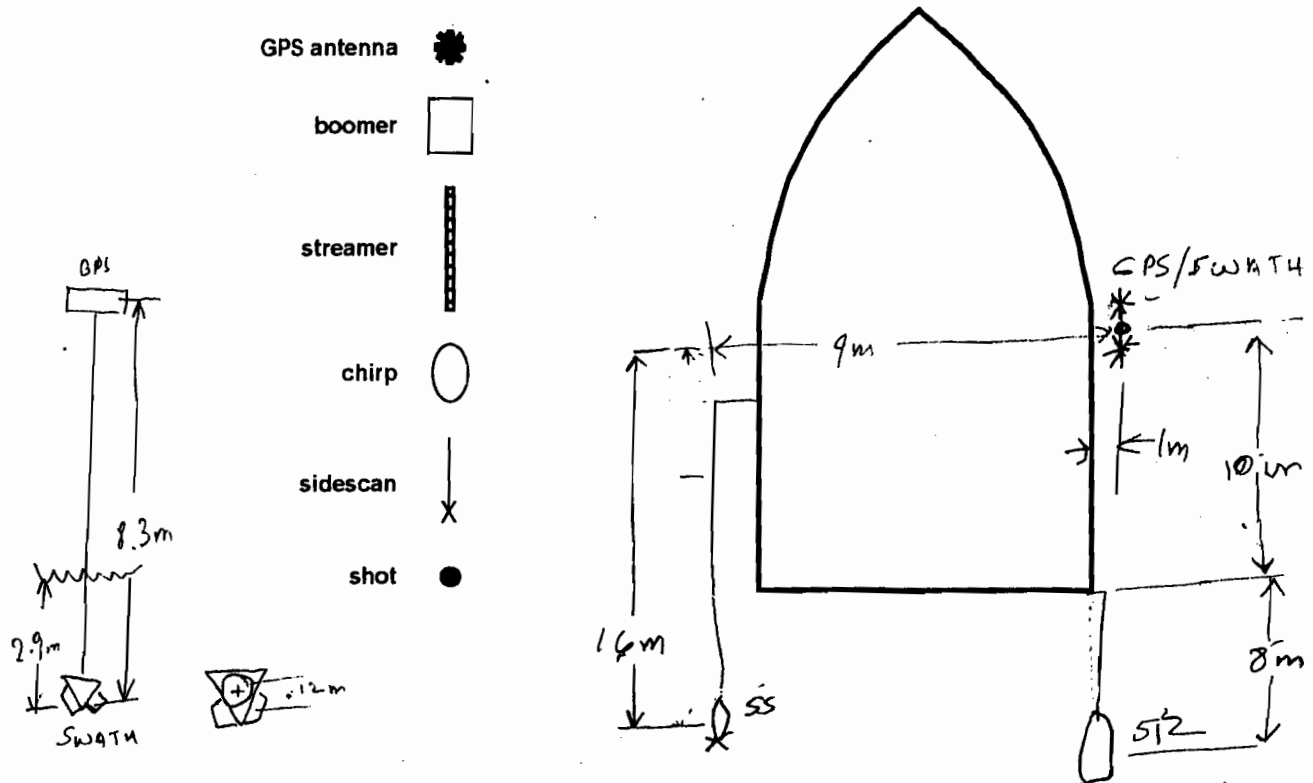
10 CCT 02

FILL OUT THE DIAGRAM TO SHOW ACQUISITION GEOMETRY.  
INCLUDE GPS-TO-SHOT DISTANCE, SLED-TO-SHOT DISTANCE,  
AND STREAMER-TO-SHOT DISTANCE.

GPS-TO-SHOT DISTANCE \_\_\_\_\_

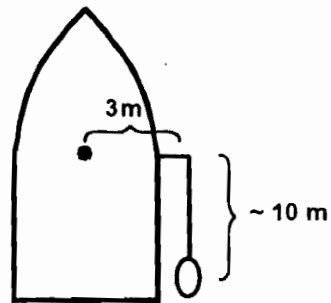
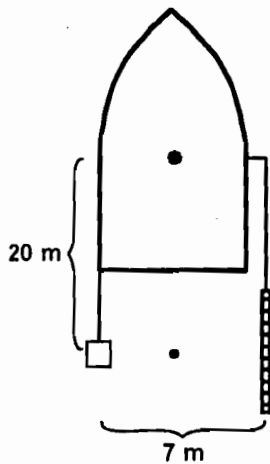
SLED-TO-SHOT DISTANCE \_\_\_\_\_

STREAMER-TO-SHOT DISTANCE \_\_\_\_\_



BOOMER EXAMPLE

CHIRP EXAMPLE



PATCH TEST PAGE

ACTIVITY ID: 10CCT02

USGS CMG FACS OPERATION LOG

Page 0 of 0

EQUIPMENT CODE	ID	START DAY	START HOUR	START MINUTE	START COMMENT	END DAY	END HOUR	END MINUTE	END COMMENT	DEPTH (METERS)
S	Roll1A	078	14	22:07	Patch TEST					
S	Roll2	078			" "					
S	Roll2A	078	14	25	" "					
S	Roll3A	078	14	48:51	" "					
S	Roll4A	078	18	58:15	" "					
S	Roll5A	078	19	09	" "					
	Roll6A	078	19	22	" "					
	-recorded using		MONROE.SXS							
									1 SVP CAST 1	
									T=15:49:39 JD=078	
									Surface	1507.1 m/s
Hypack	roll1A				Hypack = 006_1421				1m	1505.1 m/s
H "	2				005_1421				2m	1503.9 m/s
H "	2A				005_1421				3m	1501.5 m/s
H "	3A				004_1445				4m	1506.8 m/s
H "	4A				003A 1456				5m	1507.6 m/s
H "	5A				002_1509				6m	1512.1
H "	6A				001_1521				7m	1515.1
									8m	1515.1
									X = 323 846.30	
									Y = 334 1402.46	

START OF 10CCT02 Wootool

ACTIVITY ID: 10CCT02

USGS CMG FACS OPERATION LOG

Page 1 of     

EQUIPMENT CODE	ID	START DAY	START HOUR	START MINUTE	START COMMENT	END DAY	END HOUR	END MINUTE	END COMMENT	DEPTH (METERS)
C	10i01	078	20	39	SOL HYP 45	078			SECY IBM FLOAT ASCII 0.5 → 8.0 KHZ; Power 100% Ping Rate = 4HZ; ACQ width = 75M 455 KHZ; 16 BIT DATA; 50m SWATH	
S	10s01	078	20	39		078				
H	10h01	078	20	39.08		078				
NOTE	→ USING SXS = MUNRO2.SXS ; NO ROLL CAL INCLUDED IN SXS ; Hypack Line = 045-1638.1NW									
NOTE	= NOTE that Son Line 10s01 was recorded as SDF NOT XTP									
C	10i02	078	22	59						
S	10s02		22	59						
H	10h02		22	59						
HYP	045-1758		22	59						
NOTE			22	05	→ passing buoy R12 ~30M offline					
S	10s02A		23	(MUST HAD PROBLEM - DATA DOES NOT RECALL)						(10h02)
C	10i03	078	23	00	Didn't realize that EOL so close - this line is JUST start					
S	10s03	078	23	00						
H	10h03	078	23	00						
HYP	045-1859		23	00	EOL HYP 45					
C	10i04	078	23	11	SOL HYP 44					
S	10s04	078	23	11						
H	10h04	078	23	11						

HYP 044-1910 078 23 11

EQUIPMENT CODE	ID	START DAY	START HOUR	START MINUTE	START COMMENT	END DAY	END HOUR	END MINUTE	END COMMENT	DEPTH (METERS)
C	10i05	078	23	59						
S	10s05	078	23	59						
H	10h05	078	23	59						
HYP	44-195A	078	23	59						
NOTE			00	10:26	Passing buoy - offline ~ 80m					
C	10i06	079	01	04	MADE NEW ID DIRECTORY FOR JD079					
S	10s06	079	01	06						
H	10H06	079	01	07						
HYP	44-2103	079	01	04						
C	10i07	079	02	02						
S	10s07	079	02	02						
H	10H07	079	02	02						
HYP	44-2200	079	02	02						
			02		EOL Hypack 44					
C	10i08	079	02	22	TURN -					
S	10s07	079	02	22	TURN					
H	10H07	079	02	22	TURN					
HYP	43-2002	079	02		TURN					

} SHORT TURNLINE

EQUIPMENT CODE	ID	START DAY	START HOUR	START MINUTE	START COMMENT	END DAY	END HOUR	END MINUTE	END COMMENT	DEPTH (METERS)
C	10i09	079	02	25	SOL HYPACK 43					
S	10s09	079	02	25						
H	10h09	079	02	25						
HYP	43-2225									
C	10i10	079	03	00						
S	10s10	079	03	00						
H	10h10	079	03	00						
HYP	43-2259	079	03	00						
C	10i11	079	03	59	I see ghosts					
S	10s11	079	03	59						
H	10h10	079	03	59						
HYP	043-000	079	03	59						
					- PASSED bouy					
C	10i12	079	05	01	Shift change = VENTH					
S	10s12	079	05	01						
H	10h12	079	05	01						
HYP	43_0100	079	05	01						

EQUIPMENT CODE	ID	START DAY	START HOUR	START MINUTE	START COMMENT	END DAY	END HOUR	END MINUTE	END COMMENT	DEPTH (METERS)
					EOL Hypack 43	079	05	30		
				10						
C	10i13	079	05	40	SOL Hypack 42					
S	10s13	079	05	40						
H	10h13	079	05	40						
Hyp	42-040	079	05	40						
C	10i14	079	06	00						
S	10s14	079	06	00						
H	10h14	079	06	00						5.7
Hyp	042-0200	079	06	00						
C	10i13	→	Directory Naming Convention Error				"10cct02_SXP\JD080.sgy"			
C	10i15	079	07	00						
S	10s15	079	07	00						
H	10h15	079	07	00						7.4
Hyp	042-0300	079	07	00						



EQUIPMENT CODE	ID	START DAY	START HOUR	START MINUTE	START COMMENT	END DAY	END HOUR	END MINUTE	END COMMENT	DEPTH (METERS)
C	10i19	079	10	01						
S	10s19	079	10	01						
H	10h19	079	10	01						
Hypack	041_1000	079	10	01						
						079	11	11	EOL HYP 41	
						079	11	25	SVP cast #2	
* Roll 2-1	001_1134	079	11	35	SOP - Patch Test					
Roll 2-2	002_1146	079	11	47	* Munro 3. sxs					
Roll 2-3	003_1159	079	12	00						
Roll 2-4	004_1209	079	12	10						
Roll 2-5	005_1222	079	12	22						
Roll 2-6	006_1232	079	12	32						
Roll 2-7	007_1242	079	12	43		079	12	55	EOP	
C	10i20a	079	13	10	SOL Hyp 40					
S	10s20	079	13	04						
H	10h20	079	13	04						5.0
Hyp	040_1304	079	13	04						
* C	10i20				Power not turned on during initial recording.					



EQUIPMENT CODE	ID	START DAY	START HOUR	START MINUTE	START COMMENT	END DAY	END HOUR	END MINUTE	END COMMENT	DEPTH (METERS)
C	10i21	079	14	06						
S	10s21	079	14	06						
H	10h21	079	14	06						
HYP	040-1406	079	14	06						
C	10i22	079	15	02						
S	10s22	079	15	02						
H	10h22	079	15	02						9.5
HYP	0401501	079	15	02		079	15	38	EOL HYP 40	
C	10i23	079	15	42	SOL HYP 39					
S	10s23	079	15	42						
H	10h23	079	15	42						9.4
HYP	039_1542	079	15	42						
C	10i24	079	16	02						
S	10s24	079	16	02						
H	10h24	079	16	02						8.75
HYP	039_1602	079	16	02						

EQUIPMENT CODE	ID	START DAY	START HOUR	START MINUTE	START COMMENT	END DAY	END HOUR	END MINUTE	END COMMENT	DEPTH (METERS)
C	10i25	079	17	00						
S	10s25	079	17	00						
H	10h25	079	17	00						8.0
HYP	09L1700	079	17	00						
C	10i26	079	18	12	EOL Hypack 39 ; shift change					
S	10s26	079								
H	10h26	079								
HYP	39-1812	079								
NOTE	This line not planned line ; taking this to Gulfport ship channel									
C	10i27	079	19	07	→ changed linefile to Gulfport shipchannel.lnw					
S	10s27	079	19	07	→ recording up to the SOL					
H	10h27	079	19	07						
HYP	001-1907	079	19	07						
C	10i28	079	19	31	started new line in middle of channel - the chart is off.					
S	10s28	079	19	31	The middle line of Gulfport channel.lnw is ~40m to the east					
H	10h28	079	19	31	of the "visual" middle of the channel					
HYP	1-1931	079	19	31						

EQUIPMENT CODE	ID	START DAY	START HOUR	START MINUTE	START COMMENT	END DAY	END HOUR	END MINUTE	END COMMENT	DEPTH (METERS)
C	10i29	079	20	02	still running Gulfport channel north → middle btw the					
S	10s29	079	20	02	red & green buoys					
H	10H29	079	20	02						
HYP	1-2002	079	20	02						
*	So lines 10*28 & 10*29 are directly between the red & green buoys - this can be considered the baseline of the channel. Not all sides captured → some areas port & some areas starboard & some areas flat									
	winds increasing & weather declining. (Refer to Green logbook - Gov Issued)									
	for general description of channel captures from Smith									
		21	09		EOL					
C	10i30	079	21	17	(chirp line may be shorter than Smith & SSS)					
S	10s30	079	21	17						
H	10H30	079	21	17	swaying					
HYP	1-2112	079	21	17	-line down green side of channel					
		-	22	00	-moving east out of Gulfport channel & into ICW to pull gear					
					winds ↑ waves ↑					
			23	02	→ Heading to Port for the night					

EQUIPMENT CODE	ID	START DAY	START HOUR	START MINUTE	START COMMENT	END DAY	END HOUR	END MINUTE	END COMMENT	DEPTH (METERS)
NOTE		80			- In Port winds ↑ 15KTS → PROCESSED					
NOTE		81			- In Port winds ↑ 15KTS → PROCESSED					
NOTE		82			- Depart Dock ~ 0730am; steaming to Petite Bois Pass & starting lines from line file 10CCT02_PBP shore #4.LNW					
NOTE		82			- Deploying Gear					
					- trouble w/ antenna height - got 2 LINE					
SVP CAST					- CAST 3 366522 - CASTING 3340000 = Nothing					
C	10i31	82	17	25	Beginning of line for Day					
S	10s31	82	17	25						
H	10H31	82	17	25						
HYP	1-1725	82	17	25	lines from line file - 10CCT02 - PBP shore #4.LNW					
			18	03	Verifying off line to go around					
			18	07	- changed chirp depth - pulled up					
					- using roll calibration values in the SXS monitor - cal					
					- default speed of sound 1502 m/s for swath line					
					10H31					
	ALL LINES	18	47		- EOL HYPACK = 00L1725					

EQUIPMENT CODE	ID	START DAY	START HOUR	START MINUTE	START COMMENT	END DAY	END HOUR	END MINUTE	END COMMENT	DEPTH (METERS)
C	10i32	82	18	44						
S	10s32	82	18	44						
H	10h32	82	18	44						
Hyp	2-1847	82	18	44	line from file 10cct02 - PBP photo per Hy. law					
			18	46	SVP back online					
			19	02	Pulling SSS in a couple meters to try & eliminate noise (pulled to gray tape)					
		82	19	21	Coming back onto planned line					
		82	19	28	~15m OFFLINE					
* Chirp Note		82	19	53	chirp - layering? GAS?					
		82	19	57						
* Chirp Note		82	20	04	lews? on chirp					
		82	20	08	EOL HYPACK 002-1847					
C	10i33	82	20	09						
S	10s33	82	20	10						
H	10h33	82	20	10						
HYP	3-2013	82	20	10	SOL HYPACK 003-2013					
NOTE					-only took this line up to the sand bar/shoal					



EQUIPMENT CODE	ID	START DAY	START HOUR	START MINUTE	START COMMENT	END DAY	END HOUR	END MINUTE	END COMMENT	DEPTH (METERS)
C	10i36	82	22	36						
S	10s36	82	22	36						
H	10h36	82	22	36						
HYP	6-2237	82	22	36	SOL Hypack Line 006-2237					~5m
		82	22	47	trouble w/ currents pushing boat so occasionally boat wanders off track ~15m					
		82				82	23	25	EOL 36	
C	10i37	82	23	28						
S	10s37	82	23	28						
H	10h37	82	23	28						
Hyp	7-2331	82	23	27	SOL Hypack 007-2331					
					EOL 83					
C	10i38	83	00	22	START OF NEW JD					
S	10s38	83	00	22						
H	10h38	83	00	22						
Hyp	8-0023	83	00	22	SOL Hypack 008-0023					
* Chirp NOTE			00	28	Chirp JUST started recording for this line - may have missed ~5 minutes					
* Chirp NOTE		83	00	40	gas bubbles or soft sediment in chirp profile??					

\* Adjusted Hypack clock to reflect mins of symmetry at end of Hypack 008-0023

EQUIPMENT CODE	ID	START DAY	START HOUR	START MINUTE	START COMMENT	END DAY	END HOUR	END MINUTE	END COMMENT	DEPTH (METERS)
C	10i39	83	01	15						
S	10s39	83	01	15						
H	10h39	83	01	15						
Hyp	9-0114	83	01	15	SOL Hypack Line 009-0114 to help Captain - Captain having trouble with tow - (NOTE Line 8, 7, 6, 5 the currents were pushing boat around - having trouble keeping boat online. Doing their best.) - this will RESUME the full length survey lines !!					
Chirp NOTE		83	01	56	- channel or layering					
C	10i39.001		02	00	- this chirp line very short - was suppose to be 40					
C	10i40	83	02	00						
S	10s40	83	02	00						
H	10h40	83	02	00						
Hyp	9-0204	83	02	00	Same hypack line					
			02	20	EOL hypack line 09-0204					6.2
C	10i41	83	02	24						6.3
S	10s41	83	02	24						1
H	10h41	83	02	24						

Hyp 10-0227

SOL Hypack 10-0227



EQUIPMENT CODE	ID	START DAY	START HOUR	START MINUTE	START COMMENT	END DAY	END HOUR	END MINUTE	END COMMENT	DEPTH (METERS)
NOSE		83	02	33	-current affecting line					4.5m
K chirp note		83	02	53	-dipping beams or slumping					
		83	02	58	-dipping convex reflector					
C	10i42	83	03	00						
S	10s42	83	03	00						
H	10h42	83	03	00						
Hyp	10-0303	83	03	00	still on same hypack line					10.2
			03	13	- SAND WAVES?					
			03	41	EOL Hypack 10-0303 (took line ~100m longer to capture chirp)				Subsurface feature	
C	10i43	83	03	42						
S	10s43	83	03	42						
H	10h43	83	03	42						
Hyp	011-0346	83	03	42	SOL Hypack Line		011	0346		10.2
C	10i44	83	04	03						
S	10s44	83	04	02						
H	10h44	83	04	02						
Hyp	11-0406	83	04	02	SAME hypack Line					
		83	04	54	EOL Hypack 11-0406					



ACTIVITY ID: 10oct02

## USGS CMG FACS OPERATION LOG

Page 17 of     

EQUIPMENT CODE	ID	START DAY	START HOUR	START MINUTE	START COMMENT	END DAY	END HOUR	END MINUTE	END COMMENT	DEPTH (METERS)
C	10L48	083	07	01						
S	10s48	083	07	01						
H	10h48	083	07	01						
Hyp	013-0701	083	07	01			07	22	EOL Hypack 13	
C	10L49	083	07	22						
S	10s49	083	07	22						
H	10h49	083	07	22						
Hyp	014-0722	083	07	22	SOL Hypack 014		08	00	EOL Hypack 014	
C	10i50	083	08	00						
S	10s50	083	08	00						
H	10h50	083	08	00						
Hyp	014-0800	083	08	00						
C	10i51	083	08	33		083	08	30	at eol 014	
S	10s51		08	33						
H	10h51		08	33						
Hyp	015-0833		08	33	SOL Hypack 015					

EQUIPMENT CODE	ID	START DAY	START HOUR	START MINUTE	START COMMENT	END DAY	END HOUR	END MINUTE	END COMMENT	DEPTH (METERS)
C	10i52	83	09	01			09	00	end 5/	
S	10s52	83	09	01						
H	10h52	83	09	01						
Hyp	15-904	83	09	09	hypack line 15		09	42	at col	
C	10i53	83	09	46						
S	10s53	83	09	46						
H	10h53	83	09	46						
Hyp	016-0946	83	09	46	hypack line 16		10	00	end of hour	
C	10i54	83	10	00						
S	10s54	83	10	00						
H	10h54	83	10	00						
Hyp	016-1000	83	10	00		083	10	55	1055 end 16	
C	10i55	83	10	57						
S	10s55	83	10	57						
H	10h55	83	10	57						
Hyp	017-1101	83	10	57	SOL Hypack 17					

EQUIPMENT CODE	ID	START DAY	START HOUR	START MINUTE	START COMMENT	END DAY	END HOUR	END MINUTE	END COMMENT	DEPTH (METERS)
C	10i56	83	11	56						
S	10s56	83	12	07	not recording until 1207					
H	10h56	83	11	56			12	15	eol	
Hyp	017-1200	83	11	56						
C	10i57	83	12	17						
S	10s57	83	12	17						
H	10h57	83	12	17	sol 18					
Hyp	018-1220	83	12	17						
C	10i58	083	13	00						
S	10s58	083	13	00						
H	10h58	083	13	00						
Hypack	019-1304	083	13	00			13	25	EOL Hypack 19	
C	10i59	083								
S	10s59	083								
H	10h59	083								
Hypack	014-1331	084			SOL Hypack 019					

EQUIPMENT CODE	ID	START DAY	START HOUR	START MINUTE	START COMMENT	END DAY	END HOUR	END MINUTE	END COMMENT	DEPTH (METERS)
C	10i60	83	14	01						
S	10s60	83	14	01						
H	10h60	83	14	01						
Hypack	019-1409	83	14	01	on hypack 19				eol 19	
C	10i61	83	14	52						
S	10s61	83	14	52						
H	10h61	83	14	52						
Hypack	020-1456	83	14	52					CONTINUE PART HOW TO END OF LINE	
C	10i62	83	16	17						
S	10s62	83	16	17						
H	10h62	83	16	17						
HYPACK	021-1620	83	16	17	SUP CAST					
C	10i63	83	17	01						
S	10s63	83	17	01						
H	10h63		17	01						
HYPACK	021-1709		17	01						



EQUIPMENT CODE	ID	START DAY	START HOUR	START MINUTE	START COMMENT	END DAY	END HOUR	END MINUTE	END COMMENT	DEPTH (METERS)
C	10i67	83	20	06						
S	10s67	83	20	06						
H	10h67	83	20	06						
Hyp	24-2009	83	20	06	Start Hypack line 24				EOL 21:00	
C	10i68	83	21	01						
S	10s68	83	21	01						
H	10h68	83	21	01						
Hyp	24-2104	83	21	01	Cont Hypack line 24		21	22	EOL	11.7
C	10i69	83	21	27						
S	10s69	83	21	27						
H	10h69	83	21	27						
Hyp	25-2129	83	21	25	SO2 Hypack 25					
C	10i70	83	22	04						
S	10s70	83	22	04						
H	10h70	83	22	04						
HYP	25-2208	83	22	04	some hypack line 25					11.5m
							22	38	EOL Hypack 25	





EQUIPMENT CODE	ID	START DAY	START HOUR	START MINUTE	START COMMENT	END DAY	END HOUR	END MINUTE	END COMMENT	DEPTH (METERS)
C	10i74	84	01	01	WAVES still 3-5					
S	10s74	84	01	01						
H	10h74	84	01	01						
Hyp	27-0105	84	01	01	Continuation of hypack line 27					
							01	18	EOL 27	
C	10i75	84	01	19						
S	10s75	84	01	19						
H	10h75	84	01	19						
Hyp.	28-0122	84	01	19	SOL Hypack 28					10.9
C	10i76	84	02	00						
S	10s76	84	02	00						
H	10h76	84	02	00						
Hyp	<del>28-204</del>	84	02	00	small Hypack line					
		84	02	06	letting out more line on SSS - Did not seem to make a difference					12M
			02	23					EOL 28	





ACTIVITY ID: 10LLt02

## USGS CMG FACS OPERATION LOG

Page 28 of     

EQUIPMENT CODE	ID	START DAY	START HOUR	START MINUTE	START COMMENT	END DAY	END HOUR	END MINUTE	END COMMENT	DEPTH (METERS)
C	10i83	84	07	19		084	08	08		
S	10s83	84	07	19						
H	10h83	84	07	19						
Hypack	034-0702	84	07	19	SOL 34 hypack					
C	10i84	84	08	14	SOL 035					
S	10s84	84	08	14						
H	10h84	84	08	14						
Hypack	035-0817	84	08	14		084	09	10	EOL 35	
C	10i85	84	09	11	SOL 036					
S	10s85	84	09	11						
H	10h85	84	09	11						
Hypack	036-0914	84	09	11		084	10	00	EOL 036	
C	10i86	084	10	05						
S	10s86	084	10	05						
H	10h86	084	10	05						
Hypack	037-1005	084	10	05	SOL 037					

EQUIPMENT CODE	ID	START DAY	START HOUR	START MINUTE	START COMMENT	END DAY	END HOUR	END MINUTE	END COMMENT	DEPTH (METERS)
C	10i87	84	11	00						
S	10s87	84	11	00			11	42	machine froze	
H	10h87	84	11	00						
Hypack	038-1103	84	11	00	sal by 38					
S	10s87a		11	43	restart swath					
					WRITE TO 10s87a					
C	10i88	84	11	54						
S	10s88	84	11	54						
H	10h88	84	11	54						
HYPACK	039-1157	84	11	59		089	12	47	EOL 039	
C	10i89	84	12	53						
S	10s89	84	12	53						
H	10h89	84	12	53						
HYPACK	040-1257	84	12	53	SOL 040					
C	10i90	84	13	55						
S	10s90	84	13	55						
H	10h90	84	13	55						
HYPACK	041-1359	84	13	55						



EQUIPMENT CODE	ID	START DAY	START HOUR	START MINUTE	START COMMENT	END DAY	END HOUR	END MINUTE	END COMMENT	DEPTH (METERS)
C	10i94	84	16	53	nearshore -					
S	10i94	84	16	53	turned offshore					
H	10i94	84	16	53	had to pull in					
Hyp	001-1656	84	16	53	equipment					
			17	04	Buoy Rounding					
C	10i95	84	18	02						
S	10s95	84	18	02						
H	10h95	84	18	02						
Hyp	001A1803		18	02	SOL		18	10	EOL	
					-Jog to next line					
C	10i96	84	18	13						
S	10s96	84	18	13						
H	10h96	84	18	13						
Hyp	001-1813	84	18	13	Back online North crossing all					
C	10i97	84	19	22						
S	10s97	84	19	22						
H	10h97	84	19	22						
Hyp	1-1925	84	19	22	turning					





EQUIPMENT CODE	ID	START DAY	START HOUR	START MINUTE	START COMMENT	END DAY	END HOUR	END MINUTE	END COMMENT	DEPTH (METERS)
C	10i101	84	21	55	Recording over					
S	10s101	84	21	55	to next					
H	10h101	84	21	55	crossing line					
Hyp	001-2159									
C	10i102	84	22	07						
S	10s102	84	22	07						
H	10h102	84	22	07						
Hyp	001-2210	84	22	07	Farthest west crossing line heading south &					
			22	37	EOL					
			22	46	CAST 7 @ Let SSS out some more length (about 4 kilometers)					
C	10i103	84								
S	10s103	84								
H	10h103	84								
Hyp					Transit from last crossing to shore parallel line					



EQUIPMENT CODE	ID	START DAY	START HOUR	START MINUTE	START COMMENT	END DAY	END HOUR	END MINUTE	END COMMENT	DEPTH (METERS)
C	10i107	85	01	59						
S	10s107	85	01	59						
H	10h107	85	01	59						
Hyp	44-0159				Cont. Hypack Line 44		02	41	EOL Hypack 44	15m
C	10i108	85	02	43						
S	10s108	85	02	43						
H	10h108	85	02	43						
Hyp	45-0241		02	42	SOL 45					
C	10i09	85	03	56			05	02	eol	
S	10s09	85	03	55						
H	10h09	85	03	55						
Hyp	046-0354				SOL 46		05	02	CAST	
			04							
C	10i110	85	05	11						
S	10s110	85	05	11						
H	10h110	85	05	11						
HYPACK	047-0511	85	05	11						

EQUIPMENT CODE	ID	START DAY	START HOUR	START MINUTE	START COMMENT	END DAY	END HOUR	END MINUTE	END COMMENT	DEPTH (METERS)
C	10c111	85	06	26						
S	10s111	85	06	26						
H	10h111	85	06	26						
HYPACK	098-0626	85	06	26						
C	10c112	85	07	41						
S	10s112	85	07	41						
H	10h112	85	07	41	0809 lowered SSS 12'					
HYPACK	099-0741	85	07	41		085	08	51	EOL Hyp 49	
C	10c113	085	08	57						
S	10s113	085	08	57						
H	10h113	085	08	57						12.5
Hypack	050-0857	085	08	57	EOL Hypack 50					
C	10c114	085	10	19						
S	10s114	085	10	19						
H	10h114	085	10	19						
HYPACK	051-1019	085	10	19						



EQUIPMENT CODE	ID	START DAY	START HOUR	START MINUTE	START COMMENT	END DAY	END HOUR	END MINUTE	END COMMENT	DEPTH (METERS)
C	10i119	85	16	26						
S	10s119	85	16	26						
H	10h119	85	16	26						
HYPACK	056-1626	85	16	26			17	37	EOL 56	
C	10i120	85	17	40						
S	10s120	85	17	40						
H	10h120	85	17	40						
Hyp	057-1740	85	17	40	SOL Hypack L57		18	45	EOL Hypack	
C	10i121	85	18	49						
S	10s121	85	18	49						
H	10h121	85	18	49						
Hyp	58-1849	85	18	49	SOL 58-1849		19	31	EOL 58	
C	10i122	85	19	55						
S	10s122	85	19	55						
H	10h122	85	19	55						
Hyp	59A1952	85	19	55	SOL 59 hypack		20	54	EOL 59	

EQUIPMENT CODE	ID	START DAY	START HOUR	START MINUTE	START COMMENT	END DAY	END HOUR	END MINUTE	END COMMENT	DEPTH (METERS)
C	10i123	85	20	58						
S	10s123	85	20	58						
H	10h123	85	20	58						
Hyp	60-2056	85	20	54	SOL L60		21	57	EOL 60	15m
C	10i124	85	21	59						
S	10s124	85	21	59						
H	10h124	85	21	59						
Hyp	61-2156	85	21	59	SOL 61					
C	10i125	85	22	55						
S	10s125	85	22	55						
H	10h125	85	22	55						
Hyp	62A-2255			54	SOL 62		23	44	EOL 62	
C	10i126	85	23	48						
S	10s126	85	23	48						
H	10h126	85	23	48						
Hyp	63-2345				SOL 63		40		EOL	



EQUIPMENT CODE	ID	START DAY	START HOUR	START MINUTE	START COMMENT	END DAY	END HOUR	END MINUTE	END COMMENT	DEPTH (METERS)
C	10i127	85	41	55	New Linefile					
S	10s127	85	41	55	2010 MBCIP_EW connect line 2.1nw					15m
H	10h127	85	41	55						
Hyp	001-0039	85	41	55					EOL 001 segment 1	
C	10i128	86	01	20						
S	10s128	86	01	20						
H	10h128	86	01	20						
Hyp	1-0114	86	01	15	SOL segment 2		01	49	EOL segment 2	
C	10i129	86	01	56						
S	10s129	86	01	56						
H	10h129	86	01	56						
Hyp	01-0148	86	01	56	SOL segment 3				EOL segment 3	11m
C	10i130	86	02	56						
S	10s130	86	02	56						
H	10h130	86	02	56	SOL segment 4					

HYP 001-0249

EQUIPMENT CODE	ID	START DAY	START HOUR	START MINUTE	START COMMENT	END DAY	END HOUR	END MINUTE	END COMMENT	DEPTH (METERS)
C	10i131	86	03	40						
S	10s131	86	03	40						
H	10h131	86	03	40						
Hyp	0010249	86	03	40	Continuation of hypack 010249					
			04	05	Pulling up Chirp + Sidescan - slowing down					
			04	07	turning west to avoid shallow					
C	10i132	86	04	40	turning onto line					
S	10s132	86	04	43						
H	10h132	86	04	43						
Hyp	00160443	86	04	43	SOL new segment					
			04	57	lowered sidescan 3.5m					
C	10i133	86	05	39						
S	10s133	86	05	39						
H	10h133	86	05	39			06	00	end	
Hyp	00160443				Continuation of hypack					

ACTIVITY ID: 10cct02

## USGS CMG FACS OPERATION LOG

Page 40 of     

EQUIPMENT CODE	ID	START DAY	START HOUR	START MINUTE	START COMMENT	END DAY	END HOUR	END MINUTE	END COMMENT	DEPTH (METERS)
C	10i134	86	06	00	Continue					
S	10s134	86	06	00	same line					
H	10h134	86	06	00						
Hyp	001-0600	86	06	00			06	30	EOL hypack	
C	10i135	86	06	34	turning					
S	10s135	86	06	34	Continue on					
H	10h135	86	06	34	same line					
Hyp	001-0632	86	06	34						
C	10i136	86	07	30						
S	10s136	86	07	30						
H	10h136	86	07	30						
HYPACK	001-0730	86	07	30	new line segment				EOL at 8:59	
C	10i137	86	16	41	Start Gulfport					
S	10s137	86	16	41	Channel clear					
H	10h137	86	16	41	left of earlier					
Hyp	001-1641	86	16	41	heading south					
							17	10	EOL	

EQUIPMENT CODE	ID	START DAY	START HOUR	START MINUTE	START COMMENT	END DAY	END HOUR	END MINUTE	END COMMENT	DEPTH (METERS)
C	10i138		17	12						
S	10s138		17	12						
H	10h138		17	12						
Hyp	001C1710		17	12	SOL gulfport					
					Ship channel					
					heading north on					
					Red Rock network & staying inside the markers					
			17	16	Pulling SSS in → 3m					
					SXS → MUNROE2 - cal 2 does not have SVP					
C	10i139	86	18	00						
C	10s139	86	18	00						
H	10h139	86	18	00						
Hyp	001-1800	86	18	00	still heading north					
			19	07	Hypack network					
C	10i140	86	19	06						
S	10s140	86	19	06						
H	10h140	86	19	06						
Hypack	000-1900		19	08	(Hypack Reboot)					

suning line 000-1900 down central line  
001-1916

EQUIPMENT CODE	ID	START DAY	START HOUR	START MINUTE	START COMMENT	END DAY	END HOUR	END MINUTE	END COMMENT	DEPTH (METERS)
					NOTES for Hypack above - tried loading shapefile from previous channel Day 79					
					but computer locked up & had to reboot. Finally - magically the shapefile loaded - so					
					turned off the chart & had the captain survey btw the center line 10h29 from JD 79 & the					
					Line Huggin the red markers of day 086					



EQUIPMENT CODE	ID	START DAY	START HOUR	START MINUTE	START COMMENT	END DAY	END HOUR	END MINUTE	END COMMENT	DEPTH (METERS)
C	10i145	86	23	04						
S	10s145	86	23	04						
H	10h145	86	23	04						
Hyp	38-230	86			SOL Line 38 of 1me file					
Chimp Note			23	08	Chimp hook off set in record <u>BUT</u> no line was let out or in. Just a small turn as part of line 38					
					Started Line 38 from A-main section - West - few vertices, in W in channel & heading EAST!					
C	10i146	87	00	00						
S	10s146	87	00	00						
H	10h146	87	00	00						
Hyp	380001	87	00	00	still on hypack Line 38					11.3
							00	22	EOL 38	
C	10i147	87	00	25						
S	10s147	87	00	25						
H	10h147	87	00	25						
Hyp	037-0025		00	25	SOL Line 37					





ACTIVITY ID: 10CCT02

## USGS CMG FACS OPERATION LOG

Page 46 of \_\_\_\_\_

EQUIPMENT CODE	ID	START DAY	START HOUR	START MINUTE	START COMMENT	END DAY	END HOUR	END MINUTE	END COMMENT	DEPTH (METERS)
C	10i152	87	05	14						
S	10s152	87	05	14						
H	10h152	87	05	14						
HYPACK	035-0514	87	05	14	CAST 08					
C	10i153	87	06	00						
S	10s153	87	06	00						
H	10h153	87	06	00	same track line as above					
Hypack	035-0600	87	06	00						
C	10i154	87	06	38						
S	10s154	87	06	38						
H	10h154	87	06	38						
HYPACK	035-0638	87	06	38	NEW LINE SEGMENT					
C	10i155	87	07	04						
S	10s155	87	07	04						
H	10h155	87	07	04						
HYPACK	035-0704	87	07	04			07	49	end	

EQUIPMENT CODE	ID	START DAY	START HOUR	START MINUTE	START COMMENT	END DAY	END HOUR	END MINUTE	END COMMENT	DEPTH (METERS)
C	10i156	87	07	51						
S	10s156	87	07	51						
H	10h156	87	07	51						
HYPACK	039-0751	87	07	51	START LINE 39					
C	10i157	87	08	55						
S	10s157	87	08	55						
H	10h157	87	08	55						
HYPACK	039-0855	87	08	55	NEW LINE SEGMENT					
C	10i158	87	10	05						
S	10s158	87	10	05						
H	10h158	87	10	05						
HYPACK	018-1005	87	10	05	START NEW SET LINES					
C	10i159	087	11	01						
S	10s159	087	11	01						
H	10h159	087	11	01						
Hypack	018-1101	087	11	01						

EQUIPMENT CODE	ID	START DAY	START HOUR	START MINUTE	START COMMENT	END DAY	END HOUR	END MINUTE	END COMMENT	DEPTH (METERS)
C	10i160	87	11	48						
S	10s160	87	11	48						
H	10h160	87	11	48						
HYPACK	017-1148	87	11	48	START LINE 17					
C	10i161	87	13	31						
S	10s161	87	13	31						
H	10h161	87	13	31						
HYPACK	016-1331	87	13	31	START LINE 16					
C	10i162	087	14	08						
S	10s162	087	14	08						
H	10h162	087	14	08						
Hypack	016-1408	087	14	08						
C	10i163	87	15	01						
S	10s163	87	15	01						
H	10h163	87	15	01						
HYPACK	015-1501	87	15	01	START LINE 15					

EQUIPMENT CODE	ID	START DAY	START HOUR	START MINUTE	START COMMENT	END DAY	END HOUR	END MINUTE	END COMMENT	DEPTH (METERS)
C	10i164	87	16	00						
S	10s164	87	16	00						
H	10h164	87	16	00						
HYPACK	015-1600	87	16	00	EOL 015	087	16	40		
C	10i165	087	16	41						
S	10s165	087	16	41						
H	10h165	087	16	41						
Hypack	014-1642	087	16	41	SOL 014					
C	10i166	87	17	00						
S	10s166	87	17	00						
H	10h166	87	17	00						
HYPACK	019-1700	87	17	00			18	18	EOL 14	
C	10i167	87	18	19						
S	10s167	87	18	19						
H	10h167	87	18	19						
Hypack	013-1819	87	18	19	SOL 13					

ACTIVITY ID: 10cct02

## USGS CMG FACS OPERATION LOG

Page 50 of     

EQUIPMENT CODE	ID	START DAY	START HOUR	START MINUTE	START COMMENT	END DAY	END HOUR	END MINUTE	END COMMENT	DEPTH (METERS)
C	10i168	87	19	02						
S	10s168	87	19	02						
h	10h168	87	19	02						
Hyp	13-1901	87	19	02	continuation of Line		13			
							19	54	EOL 13	
C	10i169	87	19	57						
S	10s169	87	19	57						
h	10h169	87	19	57						
Hyp	012-1956	87	19	57	SOL 12					11m
C	10i170	87	21	01						
S	10s170	87	21	01						
h	10h170	87	21	01						
Hyp	012-2101	87	21	01	continuation Line 12		21	26	EOL 12	11m
C	10i	87	21	30						
S	10s	87	21	30						
h	10h	87	21	30						
Hyp	011-2129	87	21	30	SOL 12					

EQUIPMENT CODE	ID	START DAY	START HOUR	START MINUTE	START COMMENT	END DAY	END HOUR	END MINUTE	END COMMENT	DEPTH (METERS)
C	10i172	87	21	59						
S	10s172	87	21	59						
h	10h172	87	21	59						
hyp	11-2158	87	21	59	continuation of Line 11-22			56	EOL 11	11 M
C	10i173	87	22	58						
S	10s173	87	22	58						
h	10h173	87	22	58						
hyp	10-2257	87	22	58	SOL 10					
			23	04	Let out 2m of Line on chimp					
						88	00	14	EOL 10	
C	10i174	88	00	18	New JD					
S	10s174	88	00	18						
h	10h174	88	00	18						
hyp	09-0018	88	00	18	SOL 09				WAVES ↑↑ winds ~ <u>2</u> Kts	
C	10i175	88	01	02						
S	10s175	88	01	02						
h	10h175	88	01	02	continuation					

hyp 09-0100

01 35

EOL 9

ACTIVITY ID: 10cct02

## USGS CMG FACS OPERATION LOG

Page 52 of     

EQUIPMENT CODE	ID	START DAY	START HOUR	START MINUTE	START COMMENT	END DAY	END HOUR	END MINUTE	END COMMENT	DEPTH (METERS)
C	10i176	88	01	41						
S	10s176	88	01	41						
h	10h176	88	01	41						
Hyp	08-0140	88	01	41	SOL 8		02	44	EOL	
C	10i177	88	02	45						
S	10s177	88	02	45						
h	10h177	88	02	45						
Hyp	07-0243	88	02	45	SOL 7	88	03	41	EOL	10.7
C	10i178	88	03	43						
S	10s178	88	03	43						
h	10h178	88	03	43						
Hyp	006-0343	88	03	43	SOL 6		04	40	EOL 6	9.4
C	10i179	88	04	40						
S	10s179	88	04	40						
h	10h179	88	04	40						
Hyp	05-0438	88	04	40	SOL 5				EOL 5	

ACTIVITY ID: 10cct02

## USGS CMG FACS OPERATION LOG

Page 51 of     

EQUIPMENT CODE	ID	START DAY	START HOUR	START MINUTE	START COMMENT	END DAY	END HOUR	END MINUTE	END COMMENT	DEPTH (METERS)
C	10i180	88	05	18						
S	10s180	88	05	18						
H	10h180	88	05	18						
Hyp	04_0518	88	05	18	SOL Line 4					
C	10i181	88	05	57						
S	10s181	88	05	57						
H	10h181	88	05	57						
Hyp	003_0557				SOL 3					
C	10i182	88	06	32						
S	10s182	88	06	32						
H	10h182	88	06	32						
HYPACK	002-0632	88	06	32	SOL 2					
C	10i183	88	07	01						
S	10s183	88	07	01						
H	10h183	88	07	01						
HYPACK	001-0701	88	07	01	SOL 1					

EOL of Main Supplement  
Survey, head to  
Dug Keys Pass



ACTIVITY ID: 10cct02

## USGS CMG FACS OPERATION LOG

Page 52 of \_\_\_\_\_

EQUIPMENT CODE	ID	START DAY	START HOUR	START MINUTE	START COMMENT	END DAY	END HOUR	END MINUTE	END COMMENT	DEPTH (METERS)
C	10i184	88	07	24	SOL SE of Dogkeys Pass					
S	10s184	88	07	24	additional lines east					
H	10h184	88	07	24	of main survey					
HYP	009-724	88	07	24	Hypack file DRP (LINE 9)					
C	10i185	88	07	47	Turning onto					
S	10s185	88	07	47	E-W lines					
H	10h185	88	07	47						
HYP	008-0747	88	07	47						
C	10i186	88	08	44						
S	10s186	88	08	44						
H	10h186	88	08	44						
HYPACK	007-0844	88	08	44	SOL 7					
C	10i187	88	09	47						
S	10s187	88	09	47						
H	10h187	88	09	47						
HYPACK	006-0947	88	09	47	SOL 6					

ACTIVITY ID: 10oct02

## USGS CMG FACS OPERATION LOG

Page 53 of 54

EQUIPMENT CODE	ID	START DAY	START HOUR	START MINUTE	START COMMENT	END DAY	END HOUR	END MINUTE	END COMMENT	DEPTH (METERS)
C	10i188	88	10	43						
S	10s188	88	10	43						
H	10h188	88	10	43						
HYPACK	005-1043	88	10	43	SOL 5					
C	10i189	88	11	44						
S	10s189	88	11	44						
H	10h189	88	11	44						
HYPACK	004-1144	88	11	44	SOL 4					
C	10i190	88	12	38						
S	10s190	88	12	38						
H	10h190	88	12	38						
HYPACK	003-1238	88	12	38	SOL 3					
C	10i191	88	13	39						
S	10s191	88	13	39						
H	10h191	88	13	39						
HYPACK	002-1339	88	13	39	SOL 2					

