

Activity ID: 10BMI04					USGS CMG FACS Operation Log					
Equipment Code	ID	Start Day	Start Hour	Start Min	Start Comment	End Day	End Hour	End Min	End Comment	Depth (meters)
H	R0111	250	15	28	Berm V36 - tom d. 1 - 525	250	15	33		
H	R0112	250	15	33		250	15	40		
H	R0113	200	15	40		250	15	44		
H	R0114	250	15	44		250	15	41		
H	R0115	250	15	53		250	15	00		
H	R0117	250	16	00		250	16	10		
H	R0116	25	16	13		200	16	30		
H	10i01	"	16	30	30m swath	"	17	00		
I	10i01	"	16	30	5-8kHz, 5m pulse, 4 Hz chd	"	17	00	SEGY IBM Format	
S	10s01	"	16	30	50m swath 900 kHz	"	23	00	Auto Line name	
Z	10z01	"	16	30	Auto Line name	"	23	00		
N	008-1827	"	18	27		"	19	00		
H	10h02	"	18	27		"	19	00		
I	10i02	"	18	27	Tuggy Boat Detour 18:54	"	19	00		
N	009-1936	"	19	28		"	20	54		
H	10h03	"	19	28		"	20	54		
I	10i03	"	19	29	20:05 - Range Maximum	"	20	54		
N	009-2054	"	20	54		"	21	17		
I	10i04	"	20	54		"	21	15		
H	10h04	"	20	54		"	21	19		
N	011-2117	"	21	17		"	21	45		
I	10i05	"	21	19		"	21	46		
H	10h05	"	21	19		"	21	45		
N	012-2145	"	21	45		"	23	00		
I	10i06	"	21	45		"	23	00		
H	10h06	"	21	45		"	23	00		
N	019-1400	251	14	00	came to port during	251	14	33		
H	10h07	"	14	00		"	14	33		
I	10i07	"	14	00		"	14	33		
N	019-1433	"	14	33		"	15	44		
H	10h08a	"	14	33		"	15	44		
I	10i08	"	14	33		"	15	44		
N	020-1547	"	15	47		"				

Activity ID: 10BmI04				USGS CMG FACS Operation Log						
Equipment Code	ID	Start Day	Start Hour	Start Min	Start Comment	End Day	End Hour	End Min	End Comment	Depth (meters)
H	10h09	251	15	47		251	17	17		
I	10i09	"	15	47		"	17	17		
S	10sXX	"	17	47	16:55 - Turn to mo. S anchor	"	20	25		
Z	10zXX	"	17	47		"	20	25		
N	1520-1717	"	17	17		"	17	52		
H	10h10a	"	17	17		"	17	52		
I	10i10	"	17	17		"	17	52		
N	20a	"	17	56		"	18	15		
I	10i11	"	17	56		"	18	15		
H	10h11	"	17	56		"	18	15		
N	20b	"	18	15		"	18	37		
I	10i12	"	18	15		"	18	37		
H	10h12	"	18	15		"	18	37		
N	055 1837	"	18	37		"	~19	00		
I	10i13	"	18	37		"	~19	00		
H	10h13	"	18	37		"	~19	00		
N	011-1926		19	26			19	51		
I	10i14		19	26			19	51		
H	10h14		19	26			19	51		
I	10i15		~19	50			20	52		
H	10h15		~19	50			20	52		
N	012-2005		~19	50	012A 2007. RAW,		20	52		
N	013-2024		20	25			20	52		
H	10h16		20	25			20	52		
I	10i16		20	25			25	52		
N	018-1346	252	13	46	George is part day		14	19		
H	10h17	"	13	46			14	19		
I	10i17	"	13	46			14	19		
S	10bmi04 xxx	"	13	46						
Z	10bmi04 xxx	"	13	46						
N	018-1419		14	19			15	33		
H	10h18b		14	19			15	33		
I	10i18		14	19			15	33		

Activity ID: 10BMI04				USGS CMG FACS Operation Log						
Equipment Code	ID	Start Day	Start Hour	Start Min	Start Comment	End Day	End Hour	End Min	End Comment	Depth (meters)
N	017-1536	252	15	36		252	16	59		
H	10h19	"	15	36			16	59		
I	10i19	"	15	36			16	59		
W	017-1659	"	16	59			17	39		
H	10h20	"	16	59			17	39		
I	10i20	"	16	59			17	39		
N	016-1739	"	17	39			18	03		
H	10h21	"	17	39			18	03		
I	10i21	"	17	39			18	03		
N	016-1805	"	18	03			19	12		
H	10h22	"	18	03			19	19		
I	10i22	"	18	03			19	12		
N	015-1917	"	19	17			20	49		
H	10h23	"	19	17			20	49		
I	10i23	"	19	17			20	49		
N	015-2049	"	20	49			21	24		
H	10h24	"	20	49			21	24		
I	10i24	"	20	49			21	24		
N	014-2124	"	21	24			21	57		
E	10i25	"	21	24						
H	10h25	"	21	24						
N	014-1355	253	13	55		253	15	29	Same Settings as prev day	
H	10h26	"	13	55	Coord -30 15.5085N	"	15	29	(JSF)	
I	10i26	"	13	55	89 05.5265W	"	15	29		
S	10hms04xx	"	13	55		"				
Z	10hms109xx	"	13	55		"				
N	013-1529	"	15	29		"	~17	00		
H	10h27	"	15	29		"	~17	00		
I	10i27	"	15	29	(JSF)	"	~15	33		
E	10i27a	"	15	39		"	~17	00		
N	012A17H		17	11			18	30		
H	10h28		17	11			19	30		
I	10i28		17	11			19	30		

Activity ID: 10BMI04				USGS CMG FACS Operation Log						
Equipment Code	ID	Start Day	Start Hour	Start Min	Start Comment	End Day	End Hour	End Min	End Comment	Depth (meters)
N	011.1832	253	18	32		253	19	55		
I	10i29		18	32		"	19	55		
H	10h29		18	32		"	19	52		
N	054-2014		20	14			20	14		
I	10i30		20	14	21:08.1-10kHz 21:10.92-12.5kHz		20	14	Changed to 1-10kHz 2, 5ms pulse 21:11	
H	10h30		20	14			20	14		
P	047.2120		21	20			21	43		
E	10i31		21	20			21	43		
H	10h31		21	20			21	43		
N	047.2143		21	43			22	03		
J	10i32		21	43			22	03		
H	10h32		21	43			22	03		
N	048.2205		22	05						
I	10i33		22	05						
H	10h33		22	05	3012.7280N } 89 04.6050W } East 10					
N	047-1338	254	13	37	.5-8kHz (chirp mode)		14	13	1.5 m Porton chirp	
I	10i34	"	13	37	power 30%		14	13	Speed 8.65 kts, 306 pm .5-8kts, 25 meters on screen - good display power	
N	041-1447		14	47			14	55		
I	10i35		14	47			14	55		
N	040-1455		14	55			16	26		
E	10i36		14	55			16	26		
N	20A		16	26			17	37		
I	10i37		16	26			17	33		
N	042-1737		17	37			18	05		
I	10i38		17	37			18	05	30 10.8000N } 89 06.3400W } East 14	
N	001-1823		18	23			19	31		
Z, H	10i39, 10h39		18	23			19	31		
Z	10bmi04xx		18	23			19	31		
S	10bmi04xx		18	23			19	31		
N	042-1931		19	31						
I	10i40		19	31	70% power					
H	10h40		19	31						

Activity ID: 10 BMT04					USGS CMG FACS Operation Log					
Equipment Code	ID	Start Day	Start Hour	Start Min	Start Comment	End Day	End Hour	End Min	End Comment	Depth (meters)
N	003-202	254	20	36		254	21	04		
I	10i41	"	20	36			21	07	Cast 17	
H	10h41	"	20	36			21	07	30 10.57N 89 06.30W	
N	007-1336	255	13	34		255	14	50	30 13.8760N	
I	10i42	"	13	36	8-57-42, 5ms, 75m		14	50	Cast 31	
H	10h42	"	13	36	Same		14	50	89 02.7450W	
S	10b2m04	"	13	34			22	20		
Z	10b1m04	"	13	36			22	20		
N	006-1456	"	14	56			15	16		
I	10i43	"	14	56			15	16		
H	10h43	"	14	56			15	16		
N	005-1666	"	15	16			17	20		
I	10i44	"	15	14			17	20		
H	10h44	"	15	16			17	20		
N	004-1725	"	17	25			18	45		
I	10i45	"	17	25			18	45		
H	10h45	"	17	25			18	45		
N	003-1849	"	18	49			19	46		
I	10i46	"	18	49			19	46		
H	10h46	"	18	49			19	46		
N	605-1946	"	19	46			20	05		
H	10h47	"	19	46			20	05		
I	10i47	"	19	46			20	05		
N	044-2006	"	20	06			20	20		
H	10h48	"	20	06			20	20		
I	10i48	"	20	06			20	20		
N	643-2021	"	20	21			20	38		
H	10h49	"	20	21			20	38		
I	10i49	"	20	21			20	38		
N	022-2046	"	20	40			21	11		
H	10h50	"	20	40			21	11		
I	10i50	"	20	40			21	11		

Activity ID: 10bmi04					USGS CMG FACS Operation Log					
Equipment Code	ID	Start Day	Start Hour	Start Min	Start Comment	End Day	End Hour	End Min	End Comment	Depth (meters)
N	040-2119	255	21	19		255	21	44		
H	10h51	"	21	19		"	21	44		
I	10i51	"	21	19		"	21	44		
N	041-2145	"	21	45		"	22	20		
H	10h52	"	21	45		"	22	20		
I	10i52	"	21	45		"	22	20	cast 3453010.58W 3907-5700W	
N	024-1335	256	13	35	same as prev.		15	05	Cast 3453011.8300W 3907-5700W	
H	10h53	"	13	35			15	05		
I	10i53	"	13	35			15	05		
S	10bmi04xy	"	13	35						
Z	10bmi04xy	"	13	35						
N	025-1509	"	15	09			15	42		
H	10h54	"	15	09			15	42		
I	10i54	"	15	09			15	42		
N	024-1547	"	15	47			16	22		
H	10h55	"	15	47			16	22		
I	10i55	"	15	47			16	22		
N	023-1626	"	16	26			16	57		
H	10h56	"	16	26			17	56		
J	10i56	"	16	26			16	52		
N	022-1657	"	16	57			17	27		
H	10h57	"	16	57			17	27		
I	10i57	"	16	57			17	27		
N	021-1727	"	17	27			17	48		
H	10h58	"	17	27			17	48		
I	10i58	"	17	27			17	48		
N	035-1752	"	17	52			18	02		
H	10h59	"	17	52			18	02		
T	16i59	"	17	52			18	02		
N	035-1802	"	18	02			18	27		
H	10h60	"	18	02			18	27		
I	10i60	"	18	02			18	27		

Activity ID: 10bm104

## USGS CMG FACS Operation Log

Equipment Code	ID	Start Day	Start Hour	Start Min	Start Comment	End Day	End Hour	End Min	End Comment	Depth (meters)
N	036-1831	256	18	31		256	18	59		
H	10h61		18	31			18	59		
I	10i61		18	31			18	59		
N	037-1900		19	00			19	20		
H	10h62		19	00			19	20		
I	10i62		19	00			19	20		
N	038-1921		19	21			19	46		
H	10h63		19	20			19	46		
I	10i63		19	26			19	46		
N	039-1946		19	46			20	00		
I	10i64		19	46			20	00		
N	10h64		19	46			20	00		
N	032-2009		20	09			21	00		
H	10h65		20	09	Swath - 50m		21	00		
I	10i65		20	09			21	00		
N	031-2102		21	02			22	00		
H	10h66		21	02			22	00		
I	10i66		21	02			22	00	30° 11-7435N } Cont 46 89° 06-2117 }	
N	057-1348	257	13	48		257	14	24	30° 10-6340N } Cont 49 89° 04-6761W }	
H	10h67	"	13	48	swath-30m		14	24		
I	10i67	"	13	48	same as prev.		14	24		
S	10bm104xy	"	13	48			21	25		
Z	10bm104xy	"	13	48			21	25		
N	056-1422	"	14	24			14	58		
H	10h68	"	14	24			14	58		
I	10i68	"	14	26			14	58		
N	053-1459	"	14	59			~ 15	30		
H	10h69	"	14	59			~ 15	30		
I	10i69	"	14	59			~ 15	30		
N	052-1530	"	15	30			16	00		
H	10h70	"	15	30			-16	00		

Activity ID: 10bmI04					USGS CMG FACS Operation Log					
Equipment Code	ID	Start Day	Start Hour	Start Min	Start Comment	End Day	End Hour	End Min	End Comment	Depth (meters)
I	10i70	257	15	30		257	16	00		
N	051-1603	"	16	03		"	16	30		
H	10h71	"	16	03		"	16	30		
I	10i71	"	16	03		"	16	30		
N	050-1632	"	16	32		"	17	13		
H	10h72	"	16	32		"	17	13		
I	10i72	"	16	32		"	17	13		
N	049-1713	"	17	13		"	17	40		
H	10h73	"	17	13		"	17	40		
I	10i73	"	17	13		"	17	40		
N	048-1745	"	17	45		"	18	21		
H	10h74	"	17	45		"	18	21		
I	10i74	"	17	45		"	18	21		
N	033-1821	"	18	21		"	19	37		
H	10h75	"	18	21		"	19	37		
I	10i75	"	18	21		"	19	37		
N	027-1937	"	19	37		"	19	54		
H	10h76	"	19	37		"	19	54		
I	10i76	"	19	37		"	19	54		
N	027-1954	"	19	54		"	20	53		
H	10h77	"	19	54		"	20	53	- 11.5870N / 89 06.5735W	
I	10i77	"	19	54		"	20	53	"	
I	10i78	"	20	55		"	21	25	- 11.5870N / 89 06.5735W	
	- No. 8 with line 78									
N	028-1356	258	13	50	same as prev.	258	~14	54	- 11.4704N / 89 06.9504W	
H	10h79	"	"	"		"	"	"		
I	10i79	"	"	"		"	"	"		
Z	10bmi04xx	"	"	"		"	"	"		
S	10bmi04xx	"	"	"		"	"	"		
N	029-1457	"	14	57		"	19	06		
H	10h80	"	"	"		"	19	06		
I	10i80	"	"	"		"	19	06		

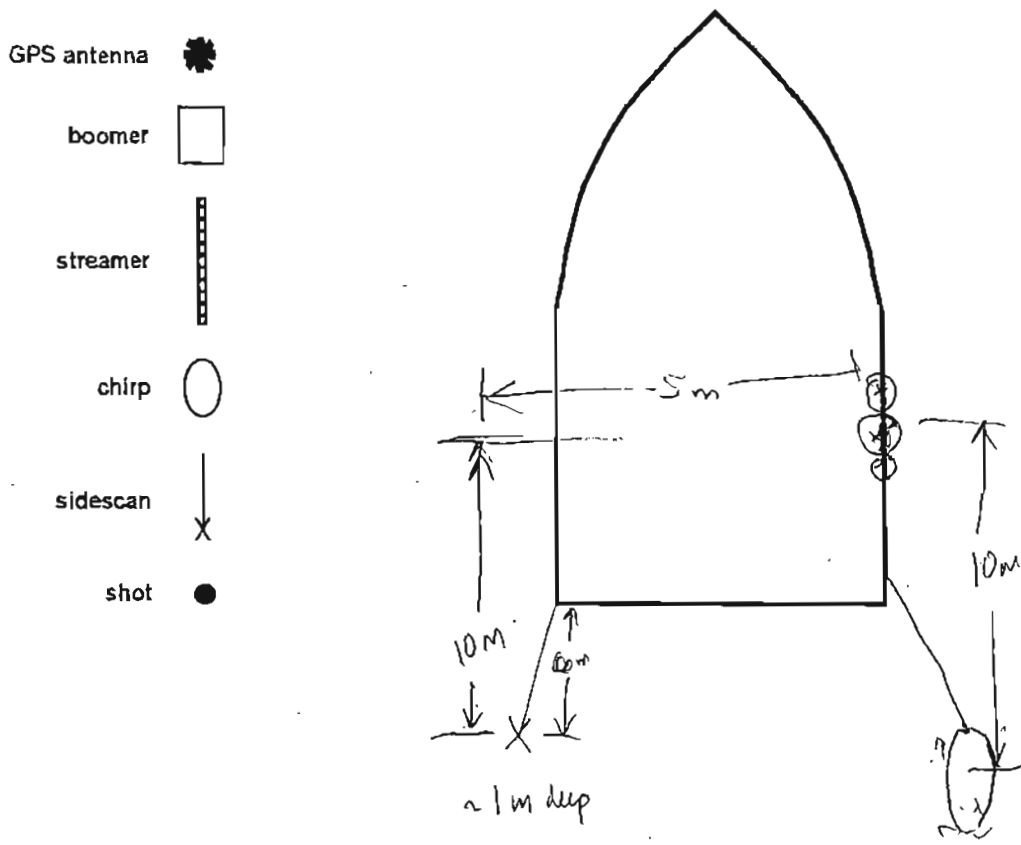


Activity ID: 10 b m I 04

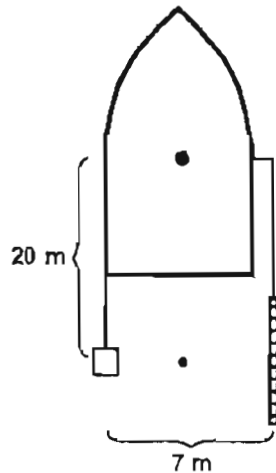
## USGS CMG FACS Operation Log

Equipment Code	ID	Start Day	Start Hour	Start Min	Start Comment	End Day	End Hour	End Min	End Comment	Depth (meters)
N	030-1606	258	16	06			17	08		
H	10h81	"	16	06			17	08		
I	10i81	"	16	06			17	08		
N	058-1705		17	05			17	28		
H	10h82		17	05			17	28		
I	10i82		17	05			17	28		
N	059-1728		17	28			18	17		
H	10h83		17	28			18	17		
I	10i83		17	28			18	17		
N	060-1817		18	17			19	30		
H	10h84		18	17			19	30		
I	10i84		18	17			19	30		
N	041-1933		18	33			19	52		
H	10h85		18	33			19	52		
I	10i85		18	33			19	52		
									30 14.4737	
									89 07.4821	

FILL OUT THE DIAGRAM TO SHOW ACQUISITION GEOMETRY.  
 INCLUDE GPS-TO-SHOT DISTANCE, SLED-TO-SHOT DISTANCE,  
 AND STREAMER-TO-SHOT DISTANCE.



BOOMER EXAMPLE



CHIRP EXAMPLE

