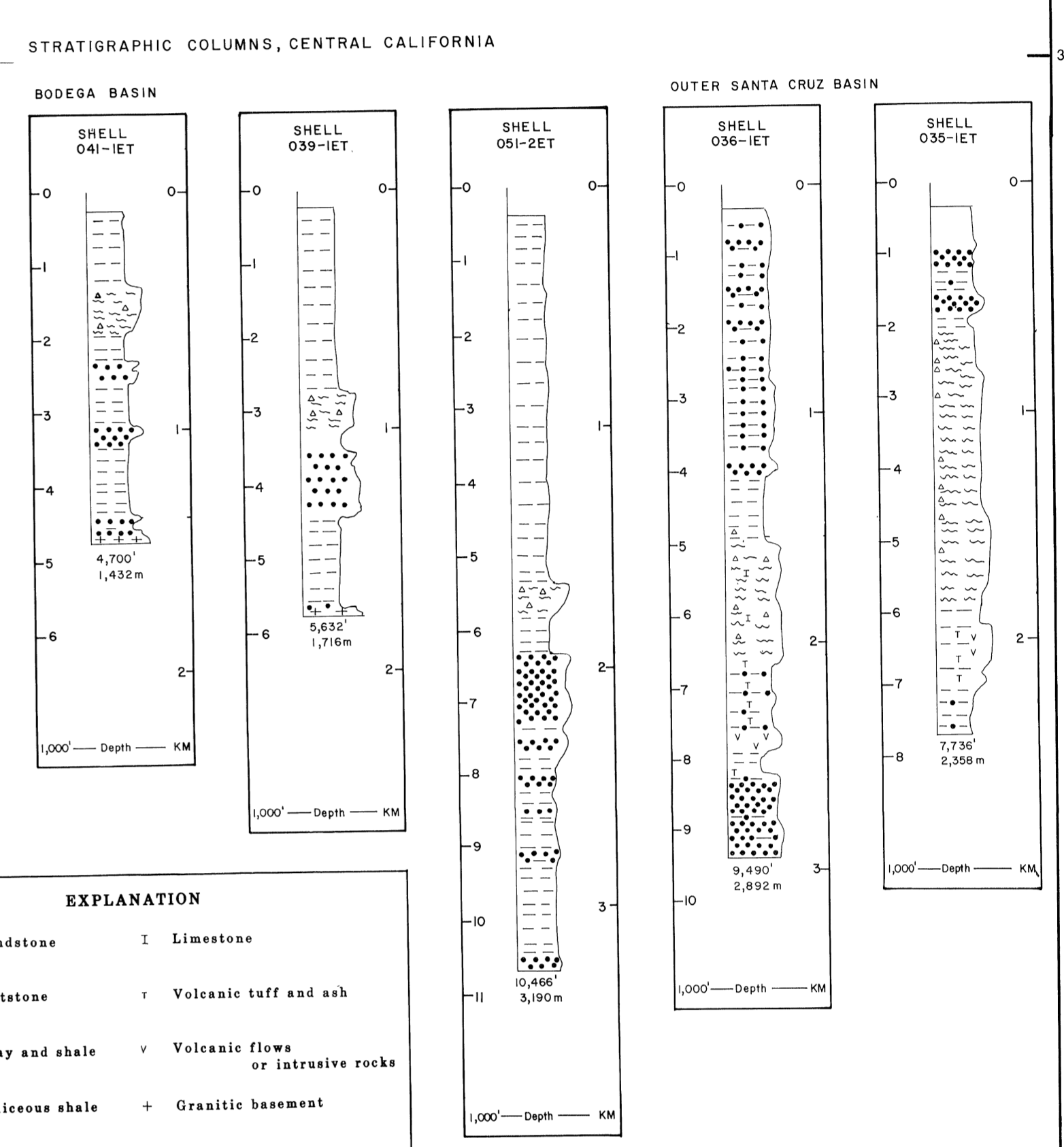


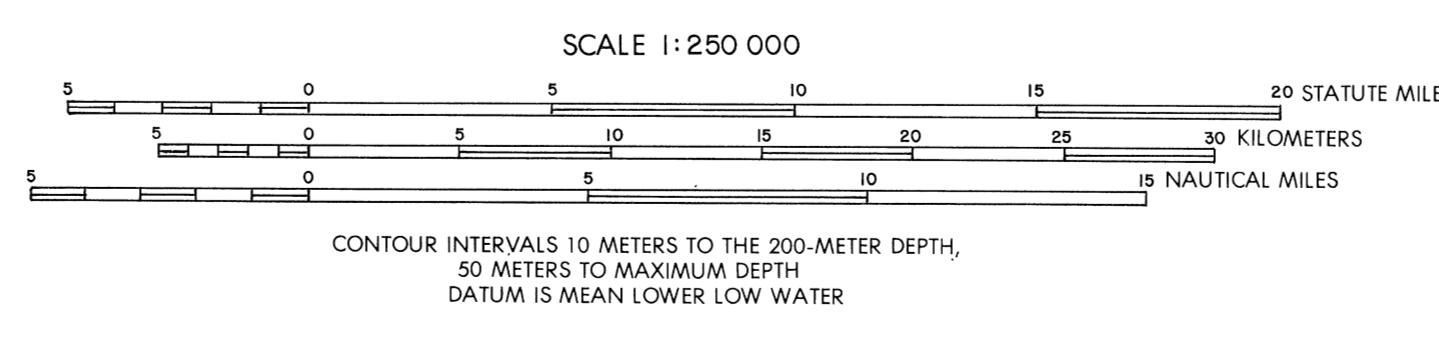
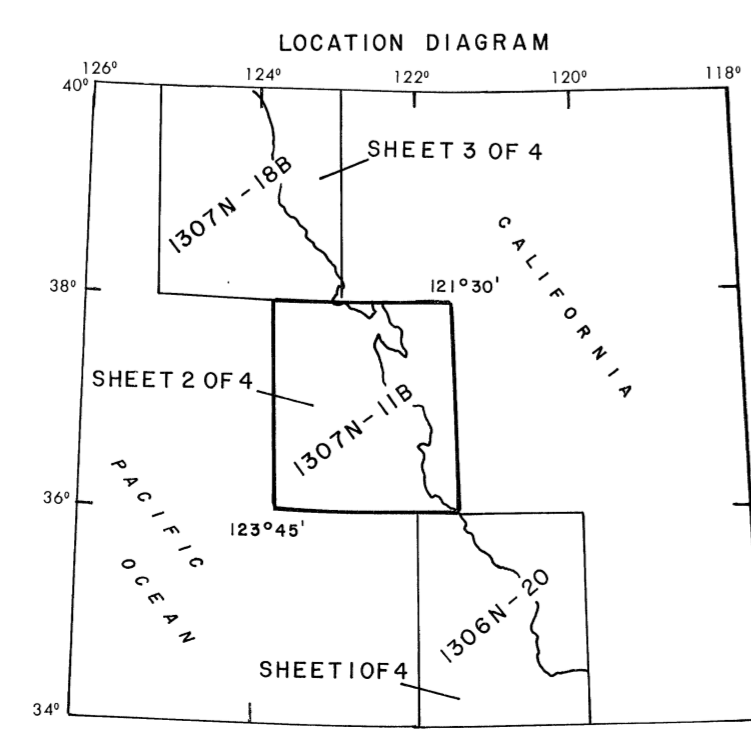
SAMPLE PREFIX	SHIP	CRUISE DATE	REFERENCES (Cited in pamphlet)
MUL	USS MULBERRY	1949	Hans (1952), Chatterman (1952)
HA	Harrook Samples	Foundation 1950-51	Udohi and Emery (1963), Coordinates from D. S. Gorska, (oral commun., 1979)
ANTI	R/V MELVILLE	6/1979	R/V MELVILLE sample logbook, unpublished. Foraminifers identified by Felix Smith of the U.S. Geological Survey, (written commun., 1971).
SC LS MB N CB C MF MBIC M S	(various)	1959-1971	Greene (1977)
KZ	R/V KEELEZ	7/1973	R/V KEELEZ sample logbook, unpublished. Foraminifers identified by David Clague of the U.S. Geological Survey, (oral commun., 1981).
S478-NC	R/V SEA SOUNDER	5/1978	R/V SEA SOUNDER sample logbook, unpublished. Preliminary lithology description from David Clague of the U.S. Geological Survey, (oral commun., 1981).
S576-NC	R/V SEA SOUNDER	6/1979	R/V SEA SOUNDER sample logbook, unpublished. Preliminary lithology description from David Clague of the U.S. Geological Survey, (oral commun., 1981).
CA	R/V CAYUSE Moss Landing Marine Laboratory	6/1980	Mullins and Nept (1981)

SAMPLE SITES - Numbers refer to pamphlet

NZ	▲	Grab
MBIC-6	●	Cure
S-S	△	Drifts-Position approximate; apex of triangle indicates approximate slip breaching
SHELL 051-2ET	✦	Exploratory well-site stratigraphic column for description of lithology



Bathymetric base from National Ocean Survey, 1971
Map 13078-118



MAPS SHOWING LOCATIONS OF SELECTED PRE-QUATERNARY ROCK SAMPLES FROM 34°30' NORTH LATITUDE TO 42° NORTH LATITUDE, CALIFORNIA CONTINENTAL MARGIN

By
David S. McCulloch, Pamela A. Utter, and Julie S. Menack
1985

Compiled in 1982 121930