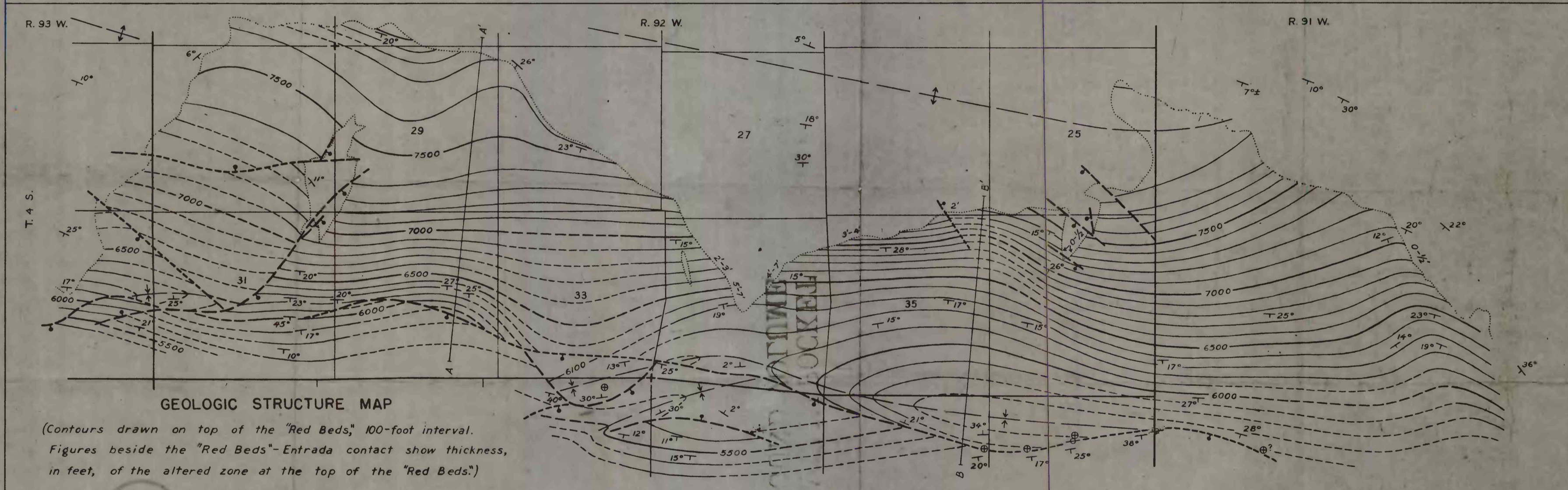


GEOLOGIC AND TOPOGRAPHIC MAP

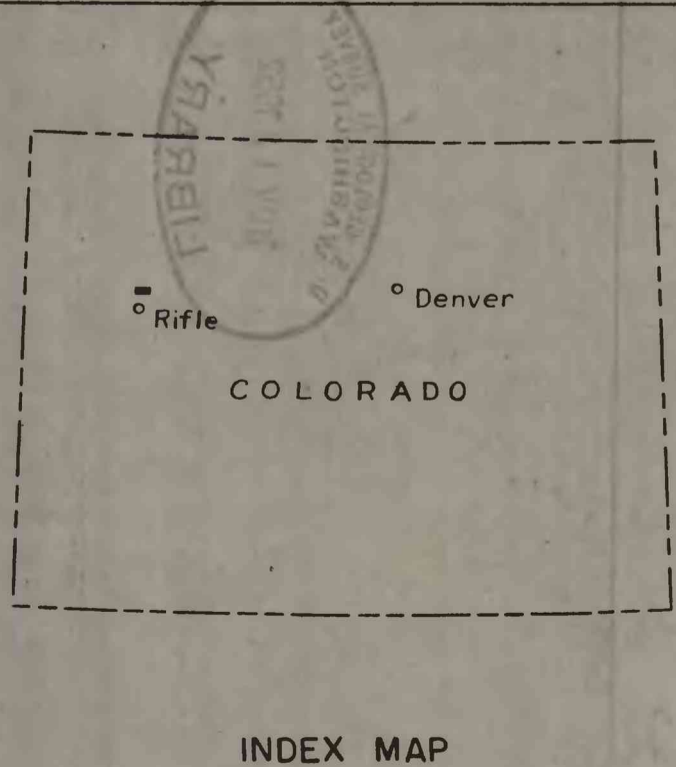
Contour interval 100. feet

(Vertical control taken from U. S. Bureau of Reclamation bench marks, Harvey Gap reservoir. Broken contours show topography sketched without adequate control.)

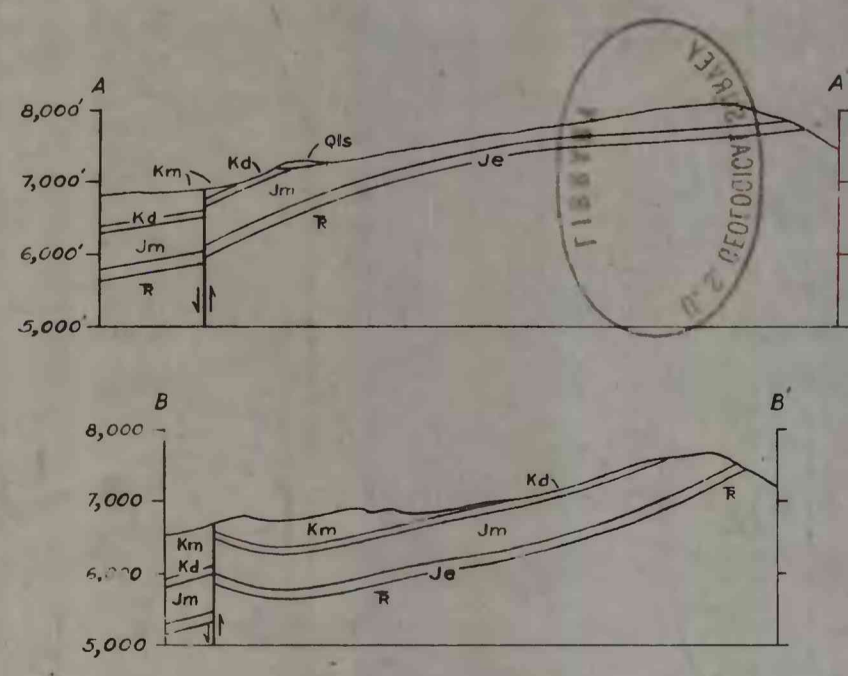


GEOLOGIC STRUCTURE MAP

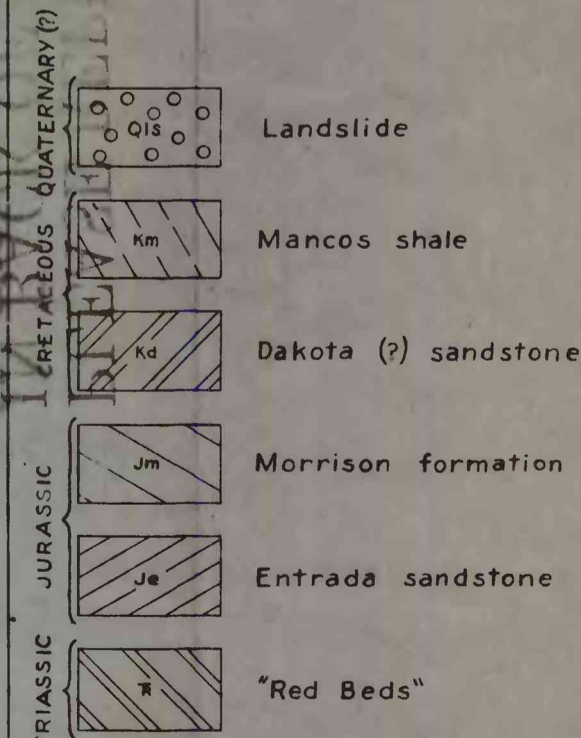
(Contours drawn on top of the "Red Beds," 100-foot interval. Figures beside the "Red Beds"-Entrada contact show thickness, in feet, of the altered zone at the top of the "Red Beds.")



INDEX MAP



GEOLOGIC STRUCTURE SECTIONS



EXPLANATION

- Fault, showing downthrown side (Long dashes show fault where well located, short dashes where covered or otherwise not well located)
- Strike and dip of beds
- Strike of vertical beds
- Flat-lying beds
- Axis of anticline
- Axis of syncline
- Working portal of vanadium mine
- Small vanadium mine or prospect
- Land corner located

Scale 1:31,680

5,000

0

10,000 Feet

