

EXPLANATION

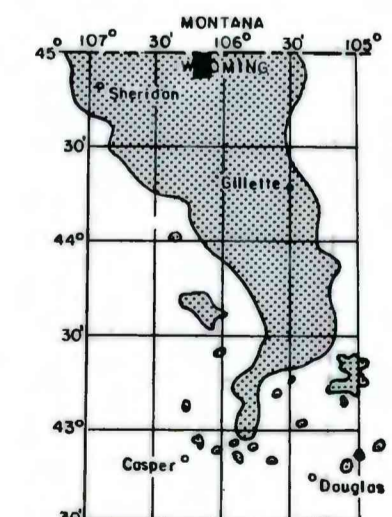
● 1675  
● 1691  
● 1752  
● 1851  
● 1849

DRILL HOLE—Showing thickness of overburden, in feet, from the surface to top of coal bed. Lower number indicates interburden thickness, in feet, between upper and lower splits of coal bed.

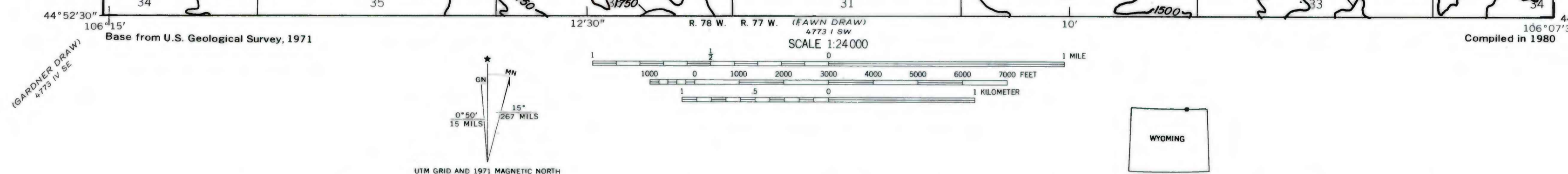
————— 1500 —————

OVERBURDEN ISOPACH—Showing thickness of overburden, in feet, from the surface to the top of the coal bed. Isopach interval 250 feet.

To convert feet to meters, multiply feet by 0.3048.



MAP SHOWING LOCATION OF THE CABIN CREEK NW QUADRANGLE AND THE POWDER RIVER BASIN KNOWN RECOVERABLE COAL RESOURCE AREA (STIPPLED), WYOMING AND MONTANA



**COAL RESOURCE OCCURRENCE MAP OF THE CABIN CREEK NW QUADRANGLE,  
SHERIDAN COUNTY, WYOMING AND POWDER RIVER COUNTY, MONTANA**

BY  
**IntraSearch**  
1980

PLATE 56  
ISOPACH MAP OF  
OVERBURDEN OF  
KING-KNOBLOCH-ROBERTS-LOCAL-KENDRICK  
COAL BED COMPOSITE

This report has not been edited for conformity with U. S. Geological Survey editorial standards or stratigraphic nomenclature.