

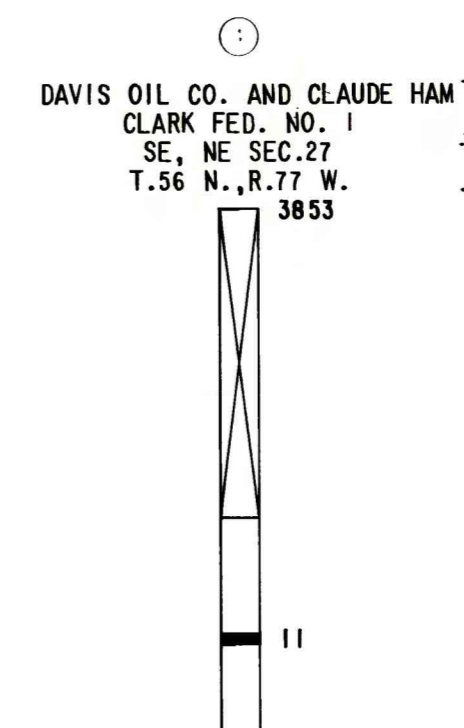
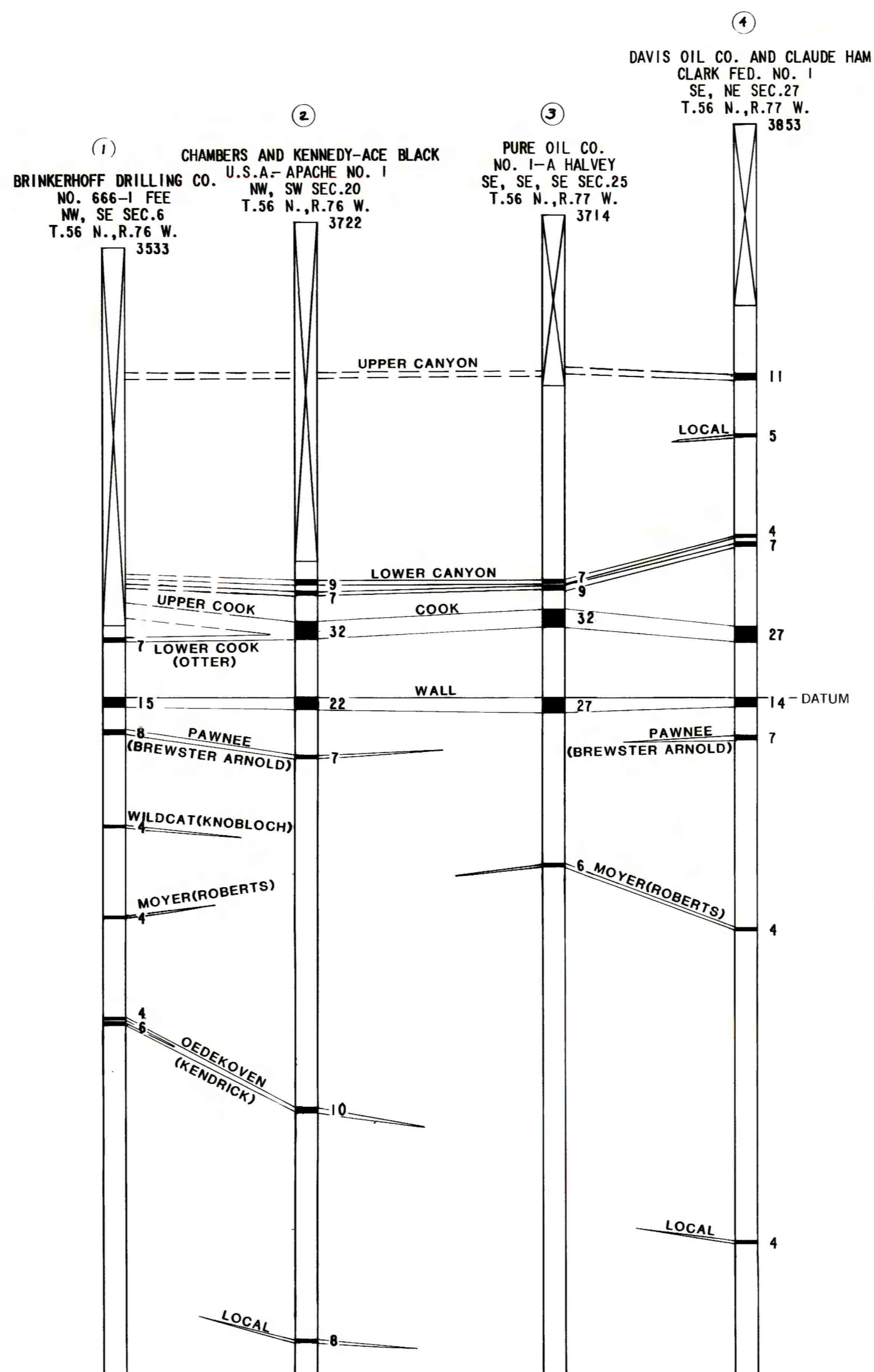
CORRELATION OF COAL BEDS IN DRILL HOLES

T. 56 N., R. 76 W.

T. 56 N., R. 77 W.

COMPOSITE COLUMNAR SECTION

SYSTEM	SERIES	FORMATION	COAL BED NAME	LITHOLOGIC DESCRIPTION
TERTIARY	Eocene	Wasatch	Arvada	1. Siltstone and claystone; gray interbedded
			Upper Smith (Waddle)	2. Coal
			Lower Smith	3. Claystone, dark gray; interbedded with clayey siltstone and sandstone
			Anderson	4. Coal
			Upper Canyon	5. Interbedded sandstone, siltstone, claystone
			Lower Canyon	6. Coal
			Cook	7. Siltstone; gray, soft, increasing sandstone streaks to bottom, carbonaceous streaks
			Wall	8. Coal
			Pawnee (Brewster-Arnold)	9. Sandstone, very fine-grained, gray, siltstone streaks
			Wildcat (Knobloch)	10. Coal
			Moyer (Roberts)	11. Sandstone, very fine-grained, gray, soft, abundant shale and siltstone streaks, carbonaceous streaks near top
PALEOCENE	Fort Union	Oedekoven (Kendrick)	12. Coal	
		Local	13. Sandstone, gray	
			14. Coal	
			15. Sandstone; very fine-grained, gray, soft, abundant 20' to 30' siltstone streaks	
			16. Coal	
			17. Siltstone, gray, sandy; grading to sandstone, gray; siltstone streaks at base	
			18. Coal	
			19. Sandstone, fine grained, gray, soft	
			20. Shale, gray, soft, silty, carbonaceous	
			21. Coal	
			22. Siltstone, gray, interbedded sandstone, claystone at base	
	23. Coal			
	24. Siltstone and claystone, gray, interbedded with sandstone			
	25. Coal			
	26. Sandstone; fine-grained, gray, silty near top, 20' siltstone streak at bottom			
	27. Coal			
	28. Siltstone, gray, very sandy			
	29. Coal			



EXPLANATION

Index number

Company and well name

Well location

Elevation of drill hole at surface

No record

Rock interval

Coal bed, showing thickness in feet

COAL BED NAMES

Arvada

Upper Smith (Waddle)

Lower Smith

Upper Canyon

Lower Canyon

Cook

Upper Cook

Lower Cook (Otter)

Wall

Pawnee (Brewster Arnold)

Wildcat (Knobloch)

Moyer (Roberts)

Oedekoven (Kendrick)

Local

Dashed lines, indicating the projection of coal beds through drill sites where no record (NR) intervals exist, are for correlation purposes only and are not intended to portray either the structural elevation or the thickness of these coal beds.

Meters 0 25 50 75 100 125 150

Feet 0 100 200 300 400 500

Vertical scale

COAL RESOURCE OCCURRENCE MAP OF THE CABIN CREEK SE QUADRANGLE, SHERIDAN AND CAMPBELL COUNTIES, WYOMING

BY
IntraSearch
1980