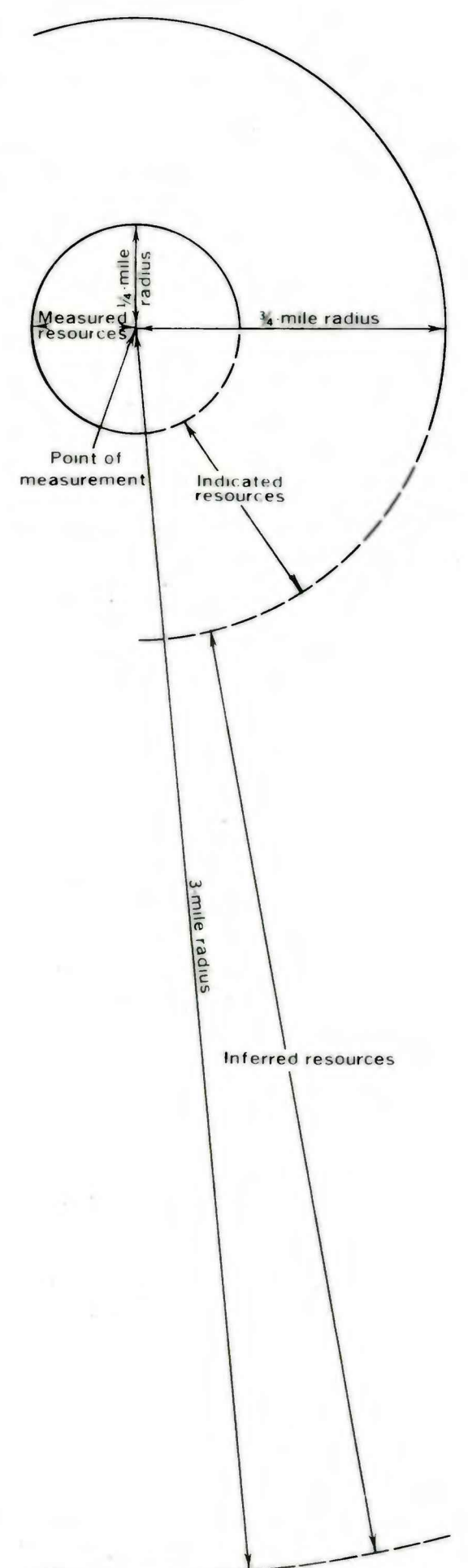


**EXPLANATION**

NON-FEDERAL COAL LAND-Coal tonnages not evaluated.

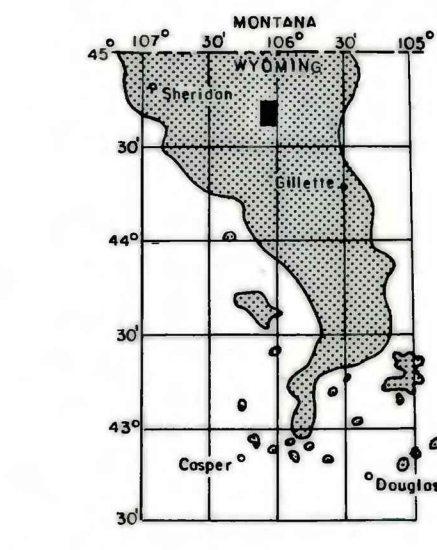
COAL LEASE-Coal Lse. Coal tonnages not evaluated.

STRIPPING LIMIT LINE-500 foot overburden isopach boundary for surface mining of coal. Arrow indicates area suitable for surface mining.

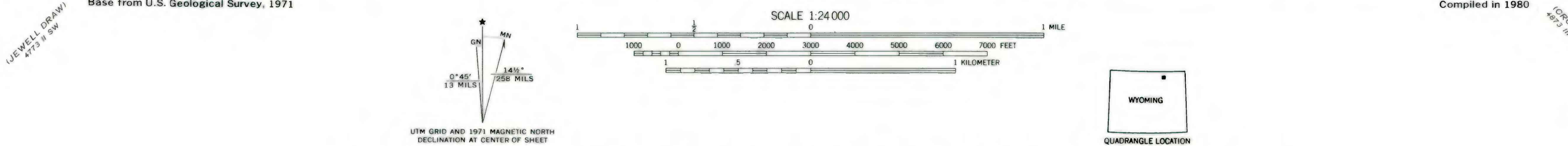


**BOUNDARY LINES**-Enclosing areas of measured, indicated and inferred coal resources of the coal bed. Dashed where projected from adjacent quadrangles. Hypothetical resources beyond 3 miles.

To convert miles to kilometers, multiply miles by 1.609.



MAP SHOWING LOCATION OF THE ARVADA NE QUADRANGLE AND THE POWDER RIVER BASIN KNOWN RECOVERABLE COAL RESOURCE AREA (STIPPLED), WYOMING



**COAL RESOURCE OCCURRENCE MAP OF THE ARVADA NE QUADRANGLE, SHERIDAN AND CAMPBELL COUNTIES, WYOMING**  
BY  
**intraSearch**  
1980

PLATE 27  
AREAL DISTRIBUTION OF IDENTIFIED RESOURCES OF ANDERSON-UPPER CANYON COAL BED

This report has not been edited for conformity with U. S. Geological Survey editorial standards or stratigraphic nomenclature.