

(200)  
R290  
no. 82-895  
sheet 2

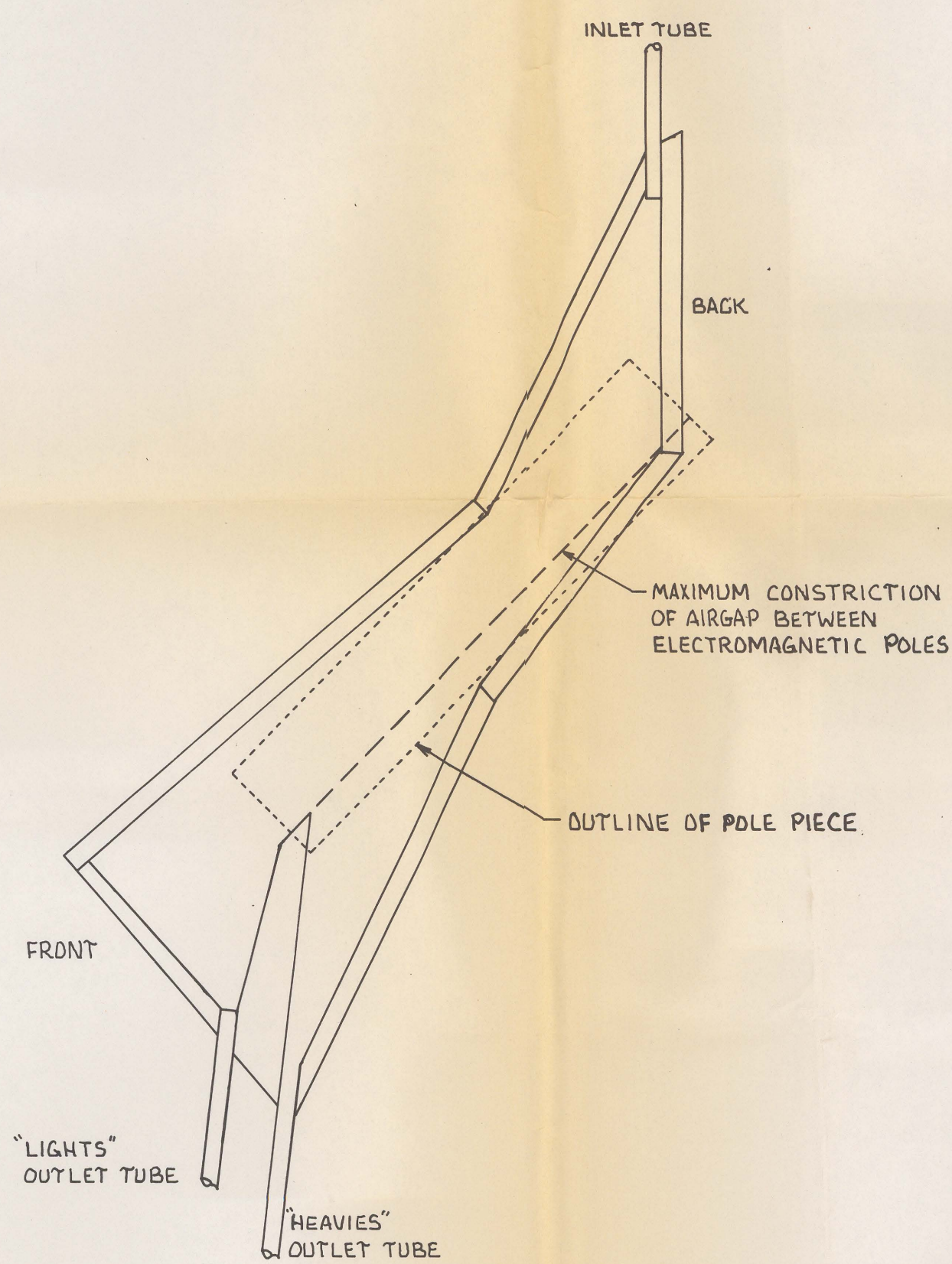


FIGURE 6.-SKETCH OF SEPARATION CHAMBER OF MHS SEPARATOR SHOWING POSITION OF POLE PIECES AND AIRGAP CONSTRUCTION

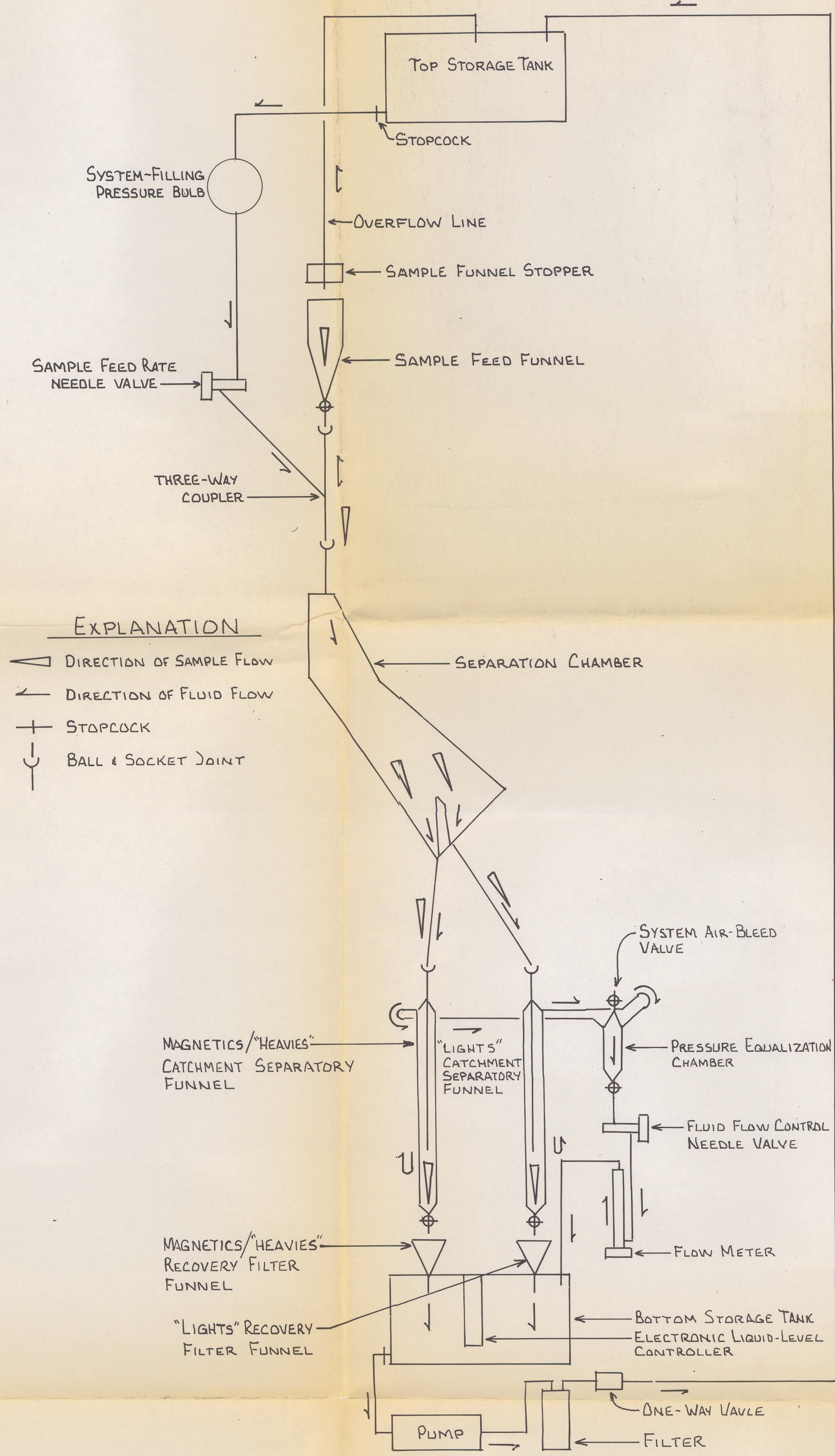


FIGURE 7.-SCHEMATIC OF MHS SEPARATOR

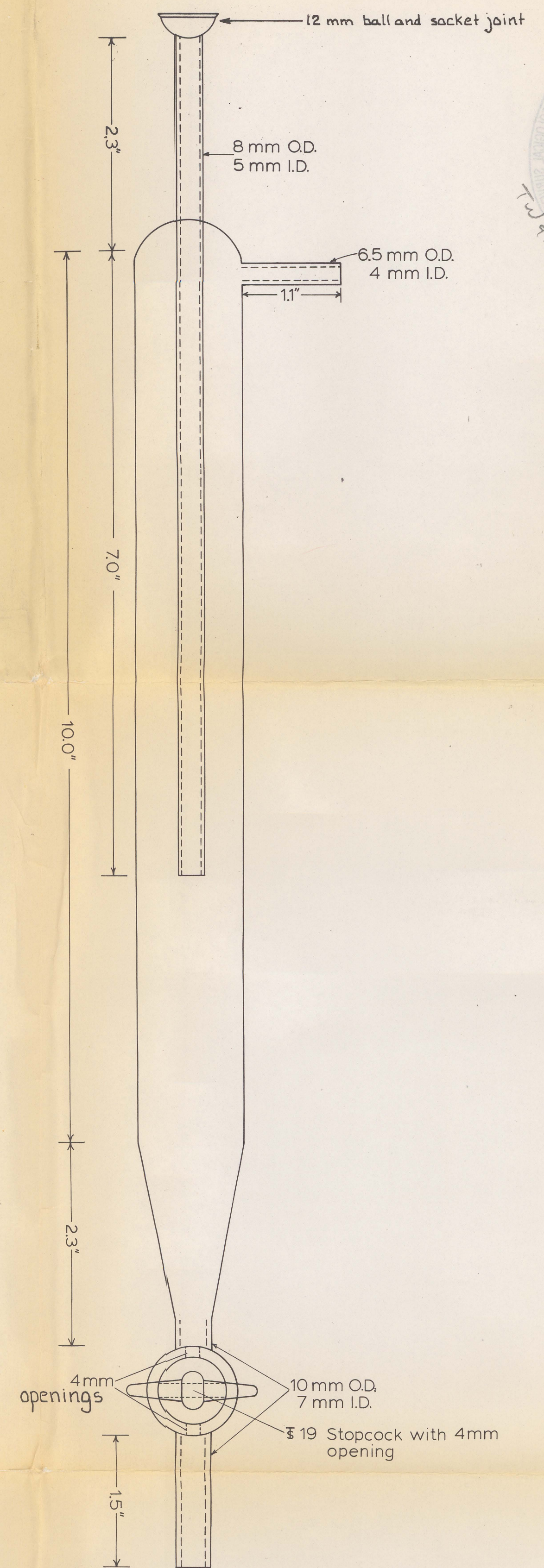


FIGURE 8.-SCALE PLAN OF CATCHMENT SEPARATORY FUNNEL FOR MHS SEPARATOR

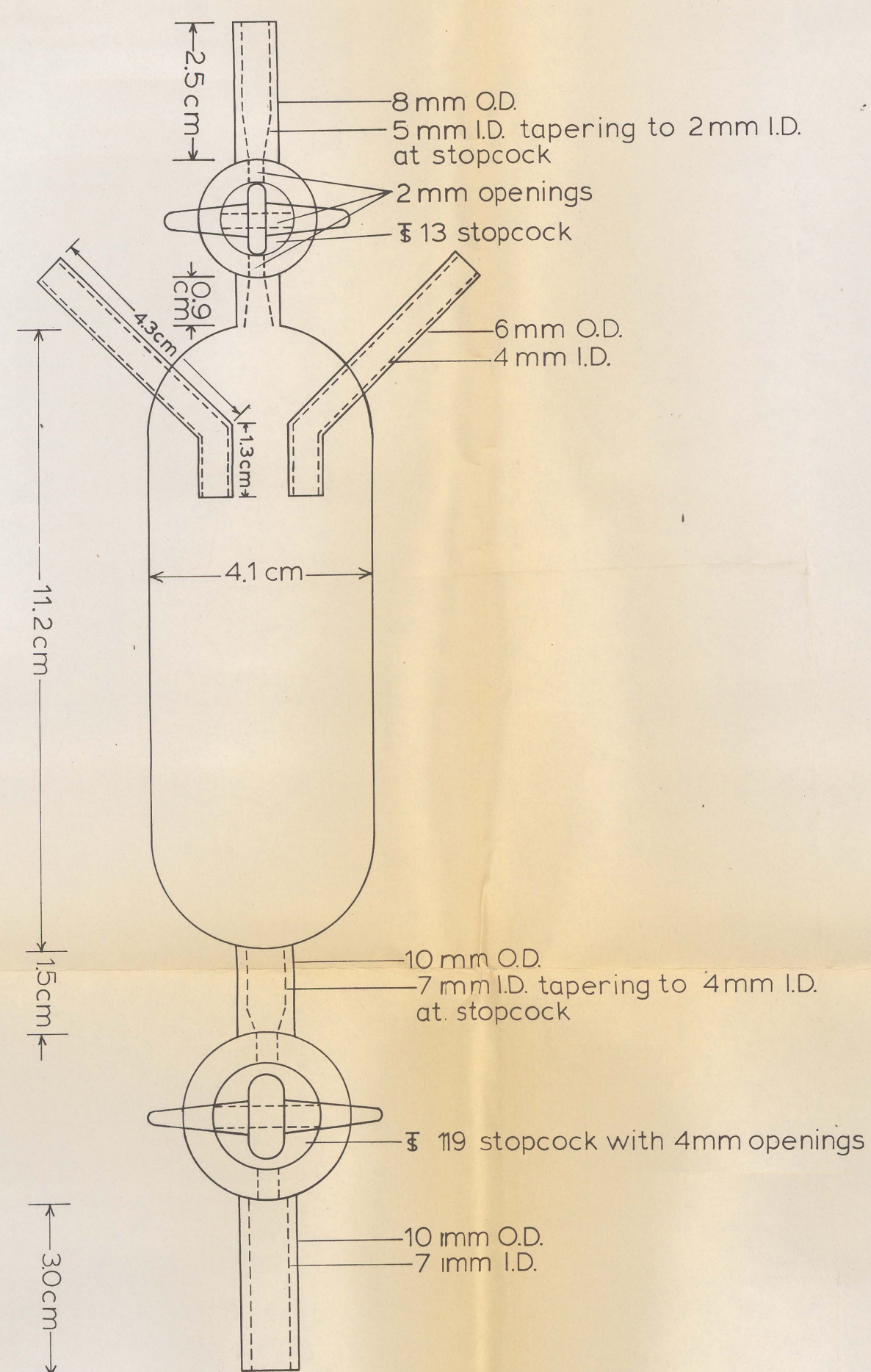


FIGURE 9.-SCALE PLAN OF FLOW EQUALIZATION CHAMBER FOR MHS SEPARATOR

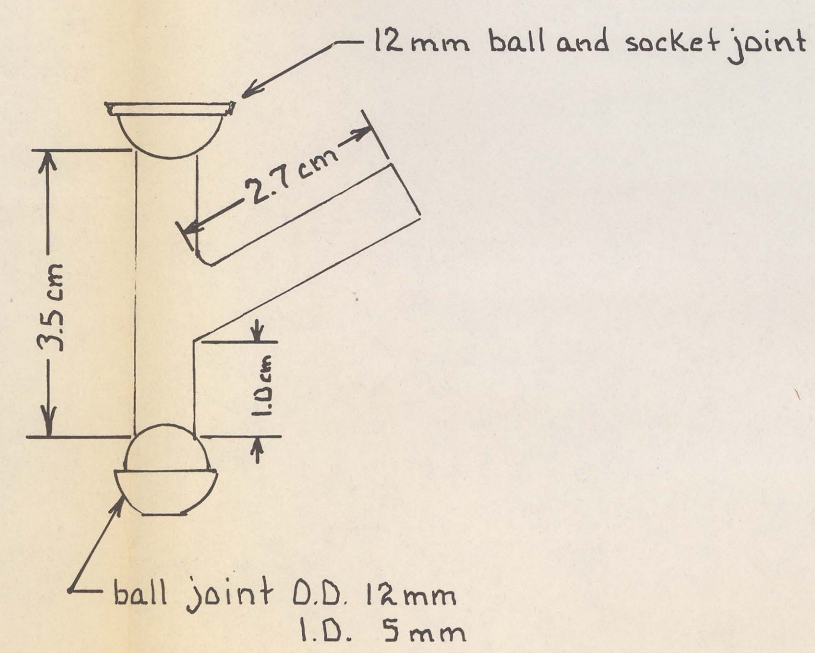


FIGURE 10.-SCALE PLAN OF THREE-WAY COUPLER FOR MHS SEPARATOR

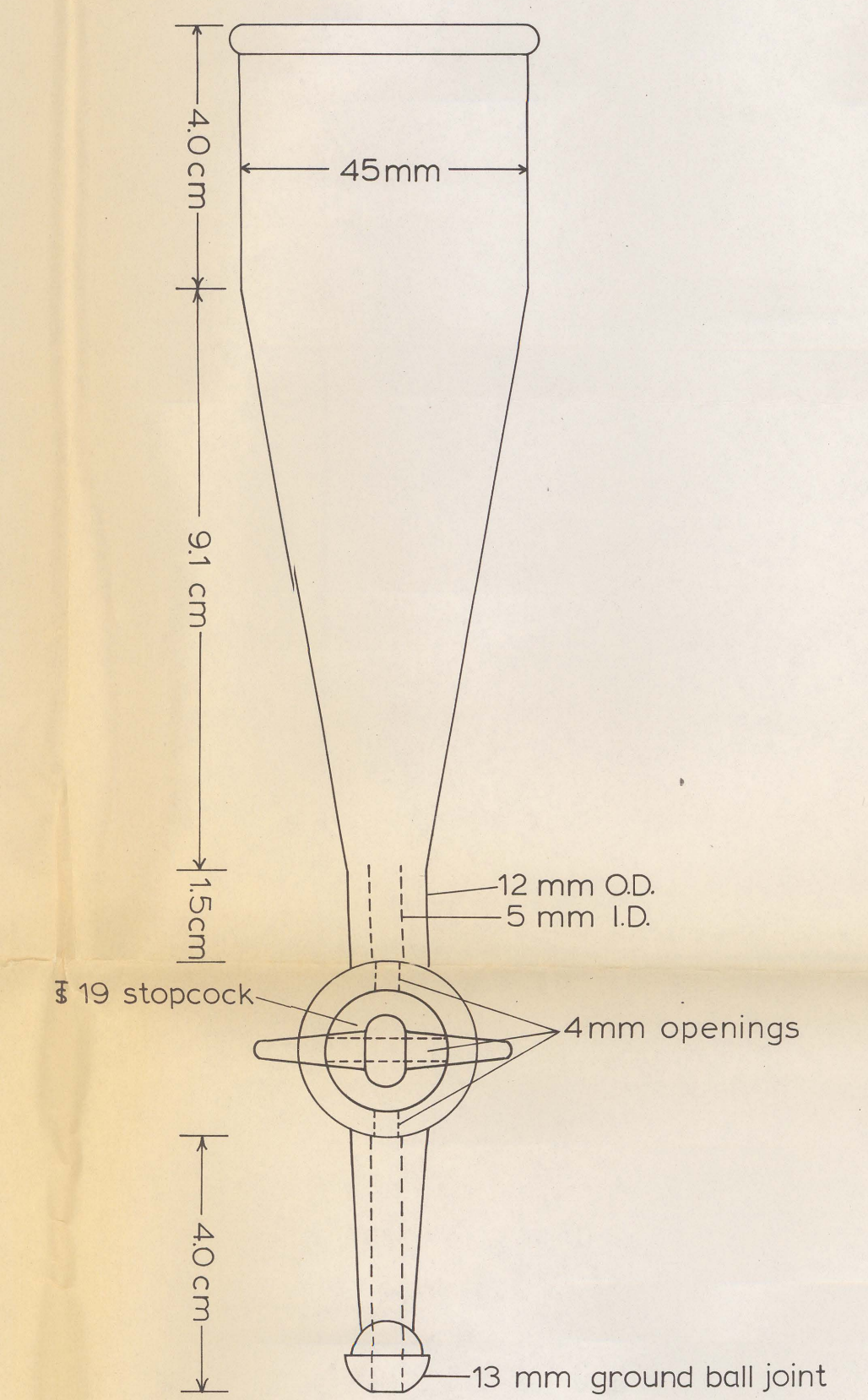


FIGURE 11.-SCALE PLAN OF SAMPLE FEED FUNNEL FOR MHS SEPARATOR

This map is preliminary and has not been reviewed for conformity with U.S. Geological Survey editorial standards and stratigraphic nomenclature. Any use of trade names is for descriptive purposes only and does not imply endorsement by the USGS.

CONSTRUCTION PLANS AND OPERATING INSTRUCTIONS FOR A LABORATORY-SCALE MAGNETOHYDROSTATIC (MHS) MINERAL SEPARATOR

By  
H. V. Alminas and T. L. Marceau  
1982