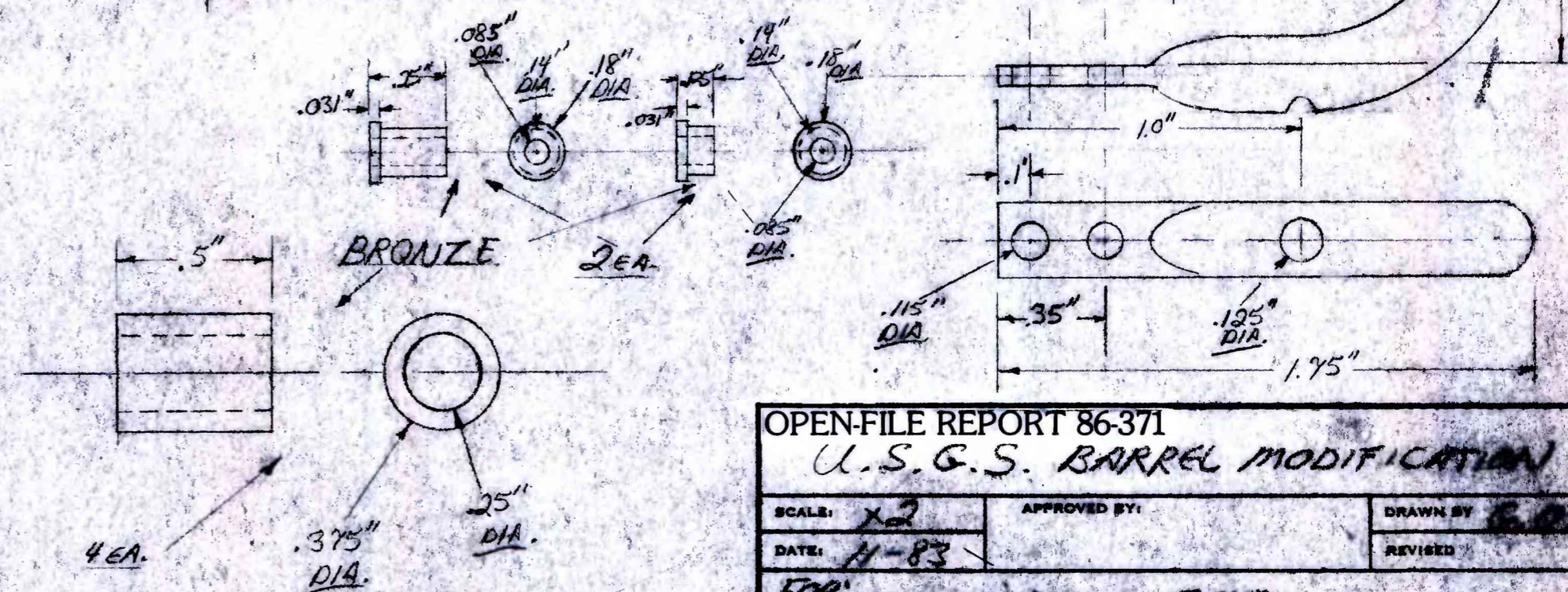
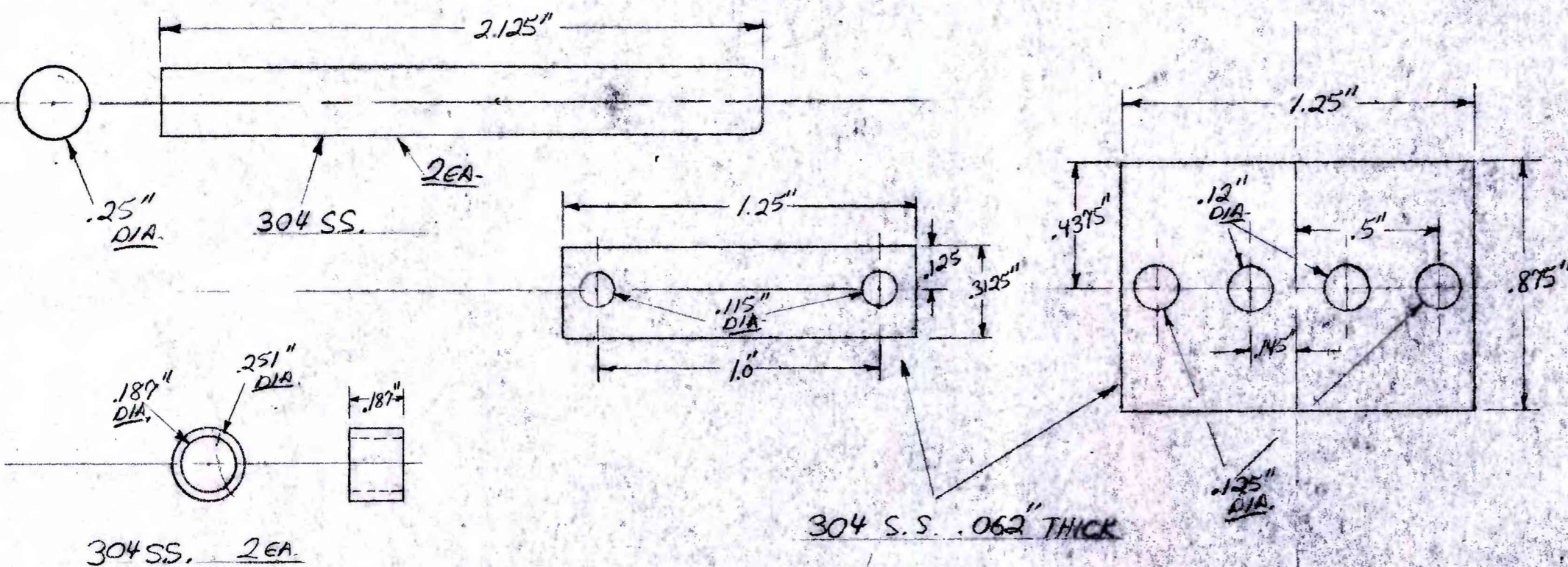
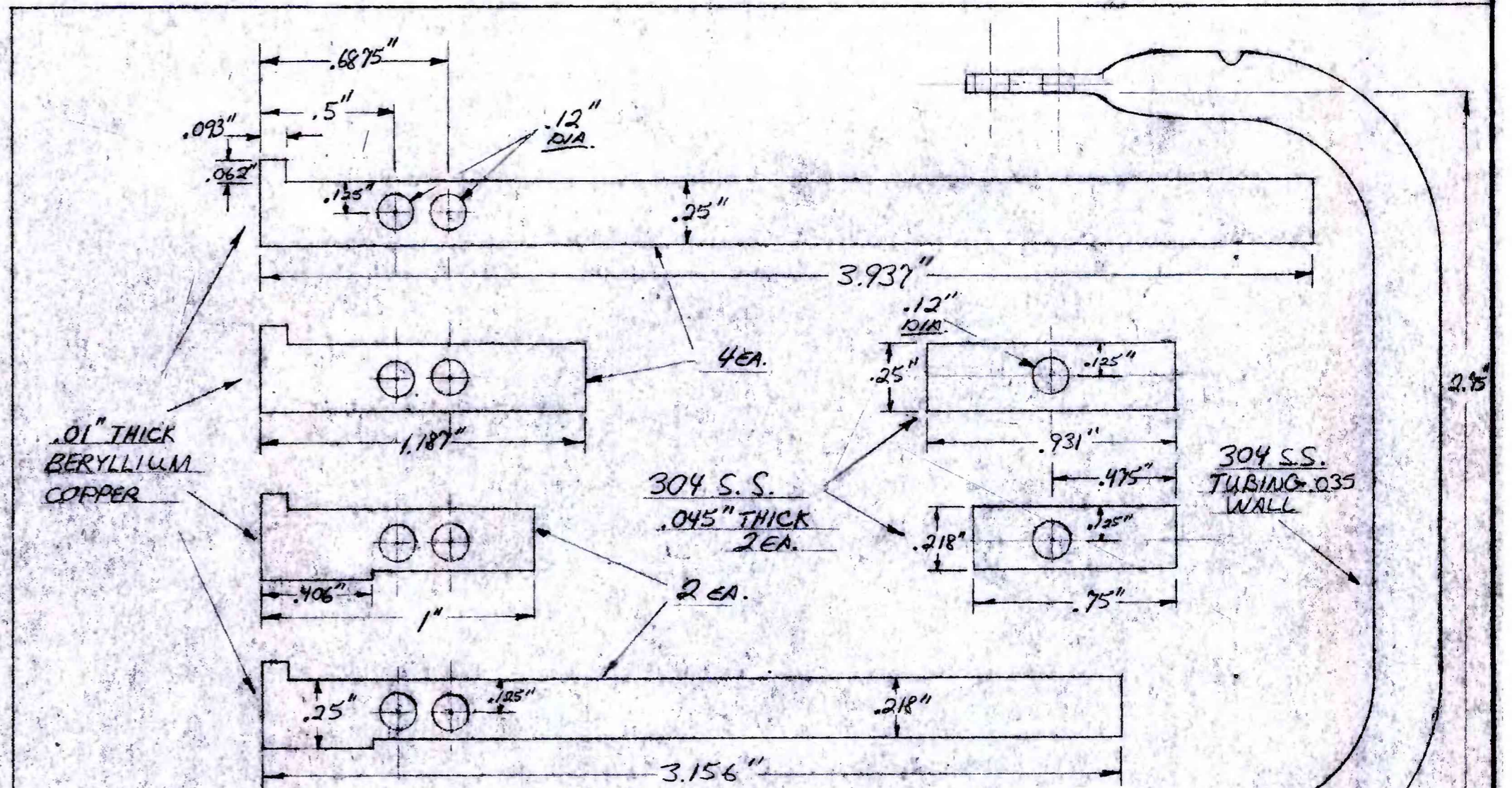
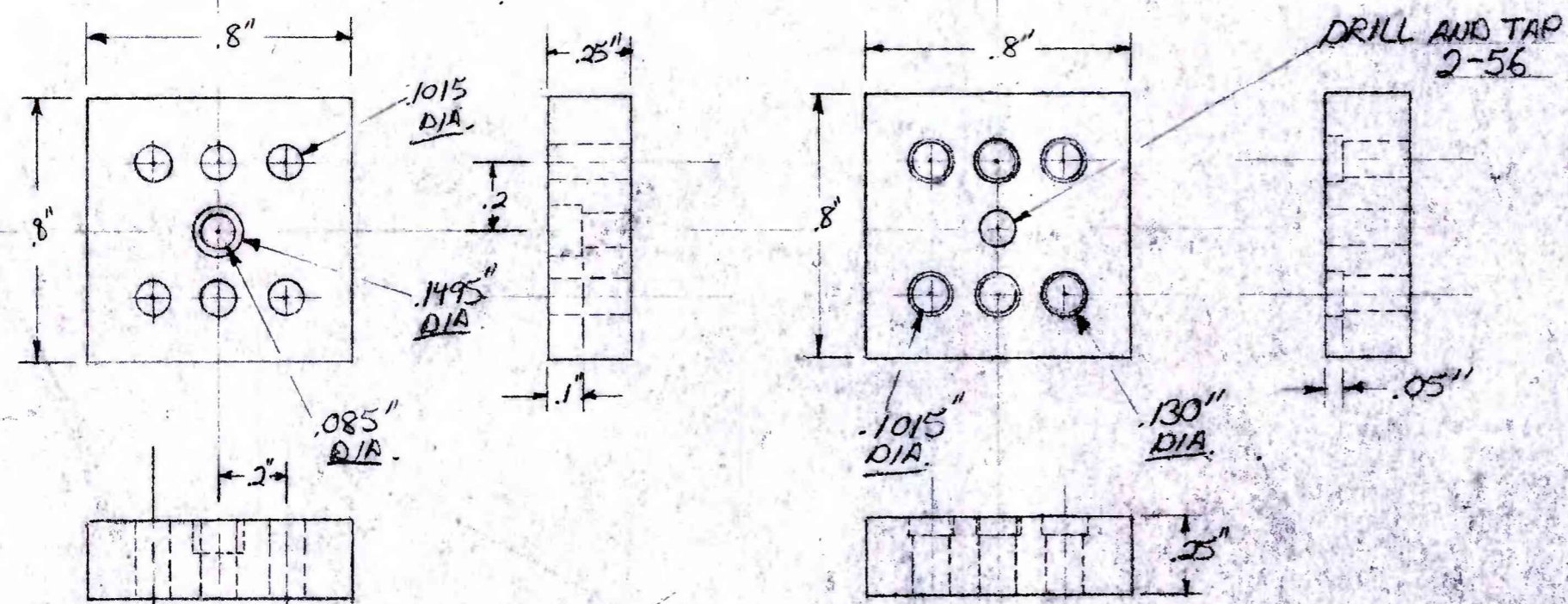


USE 'MACOR' CERAMIC FOR THESE PARTS



OPEN-FILE REPORT 86-371		
U.S.G.S. BARREL MODIFICATION		
SCALE: X2	APPROVED BY:	DRAWN BY:
DATE: 11-83		REVISED:
FOR MICRO MASS 54R		
DESIGNED BY: DONALD WINEGARDEN		DRAWING NUMBER: