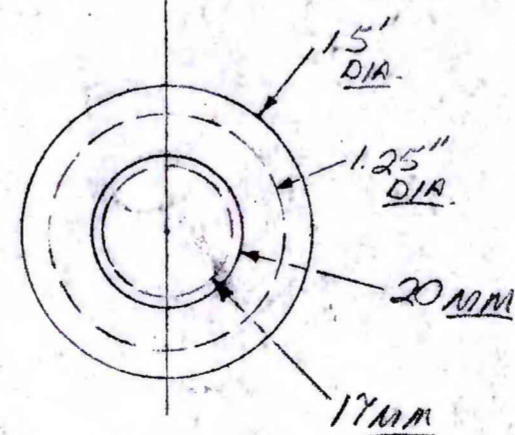
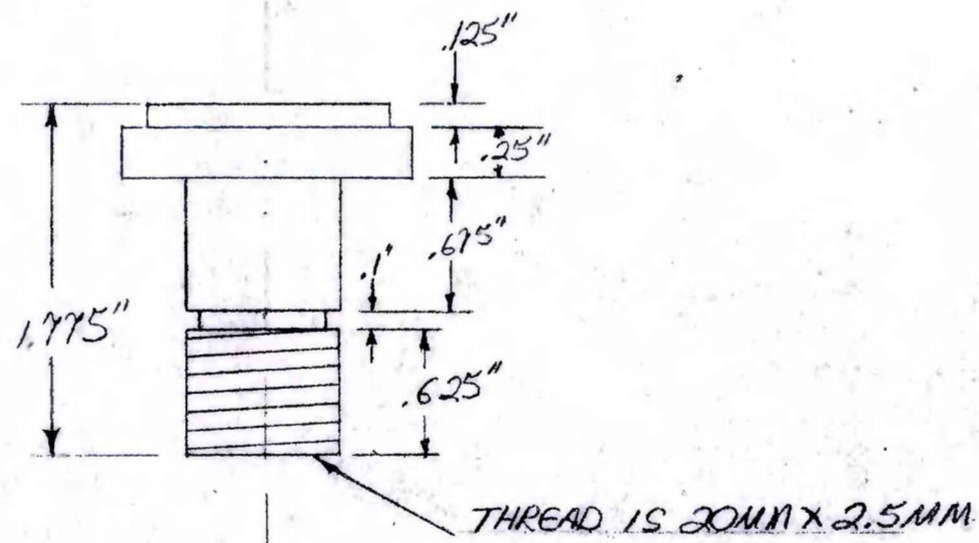
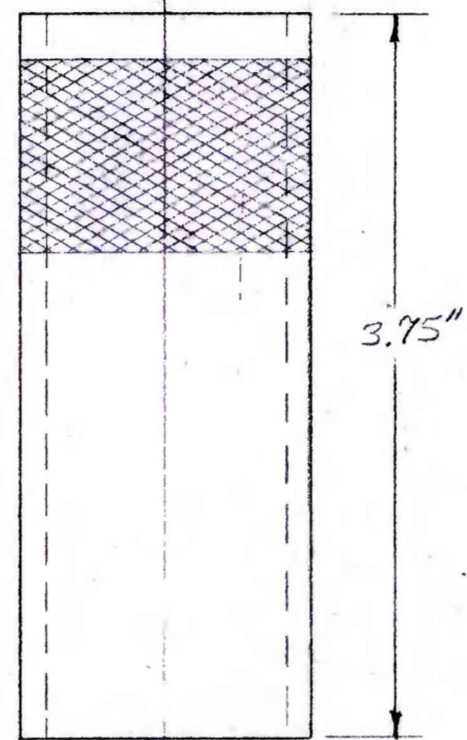
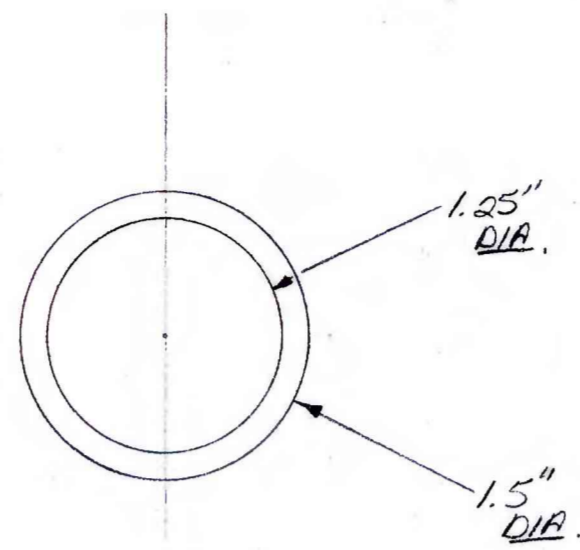


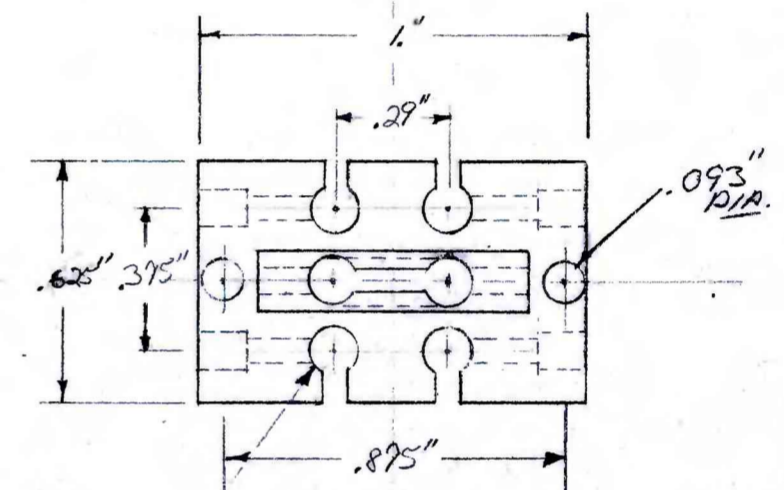
CONTACTER PINS

SCALE: X2

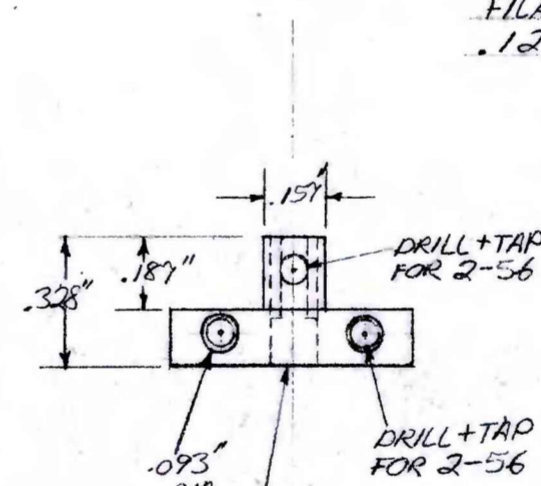


BARREL RETAINING NUT

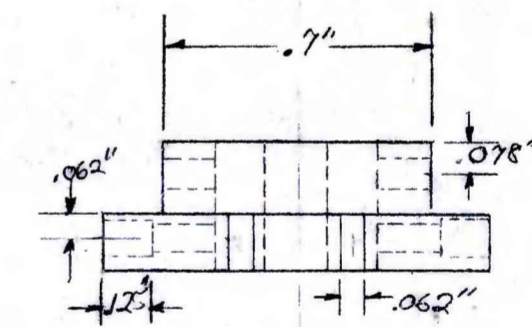
SCALE: FULL



FILAMENT HOLES ARE .125" DIA.



.062" SLOT THRU FROM TOP END MILL .415" LONG X .125" WIDE X .125" DEEP FROM BOTTOM



FILAMENT BLOCK

SCALE: X2

OPEN-FILE REPORT  
 86-371

USGS BARREL MODIFICATION

SCALE:	APPROVED BY:	DRAWN BY: <b>S.O.</b>
DATE: <b>11-83</b>		REVISED:
		DRAWING NUMBER <b>5</b>