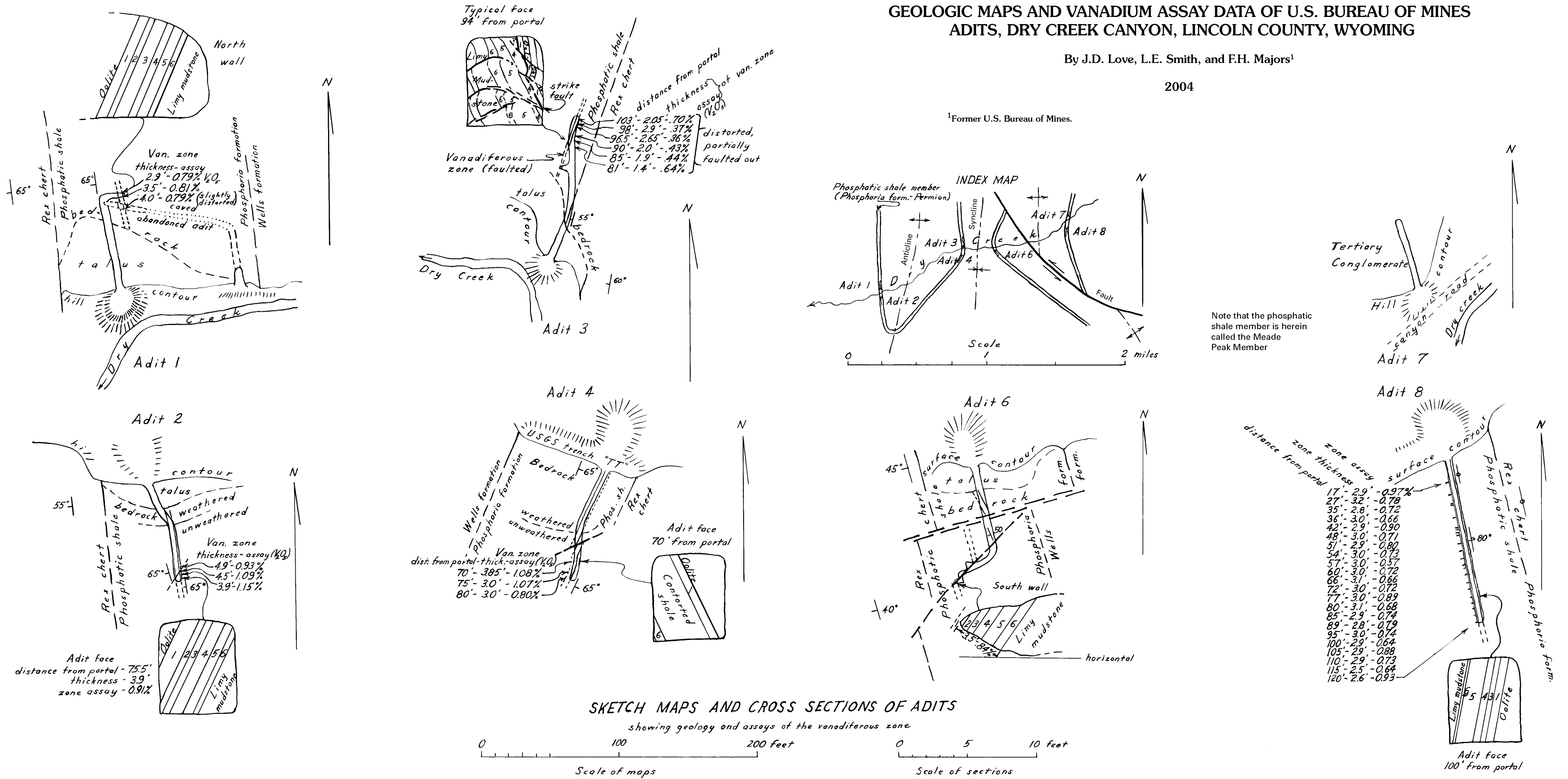


GEOLOGIC MAPS AND VANADIUM ASSAY DATA OF U.S. BUREAU OF MINES
ADITS, DRY CREEK CANYON, LINCOLN COUNTY, WYOMING

By J.D. Love, L.E. Smith, and F.H. Majors¹

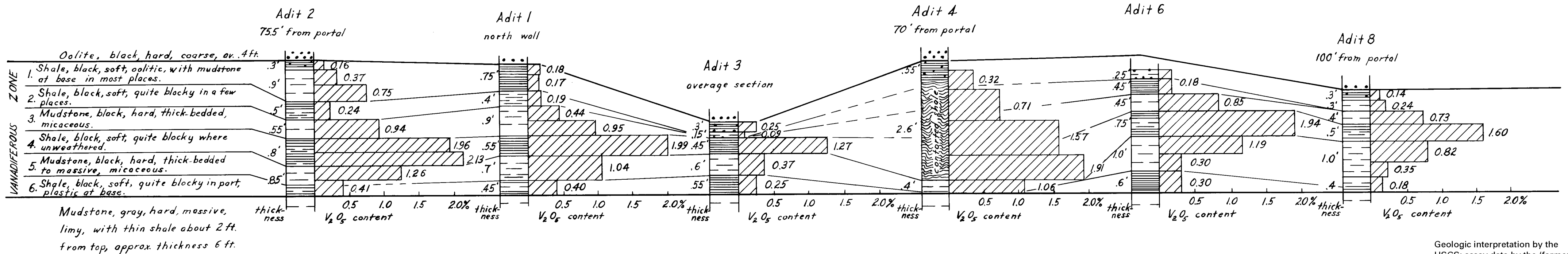
2004

¹Former U.S. Bureau of Mines.



SKETCH MAPS AND CROSS SECTIONS OF ADITS

showing geology and assays of the vanadiferous zone



CHARACTER, THICKNESS, AND VANADIUM CONTENT OF BEDS OF THE VANADIFEROUS ZONE IN ADITS

Geologic interpretation by the USGS; assay data by the (former) U.S. Bureau of Mines, project 1905